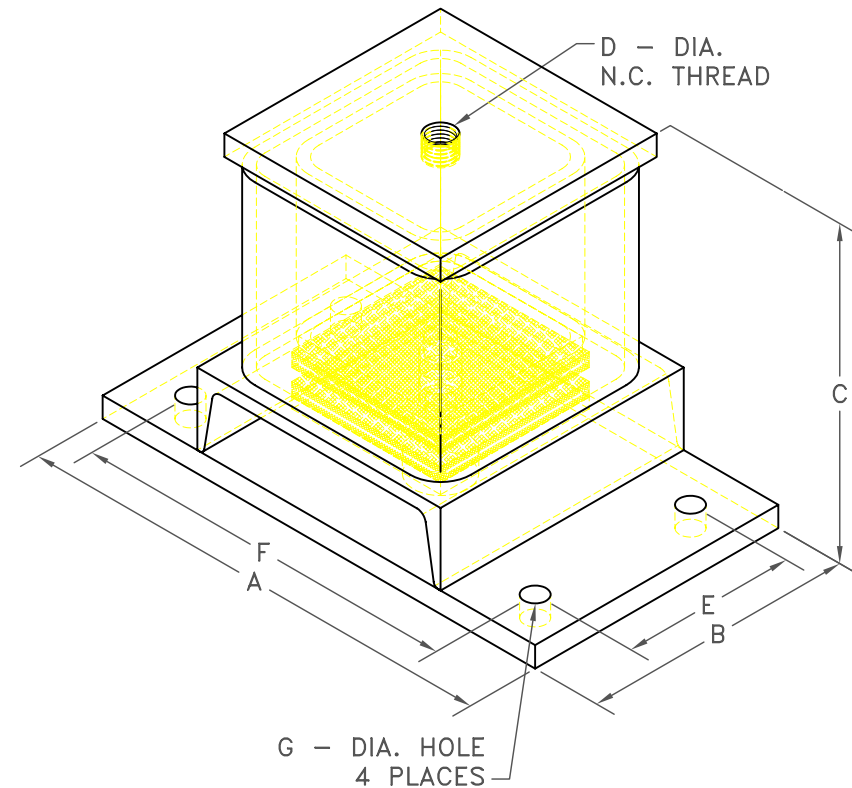


KPA PIPE ANCHOR

S-I UNITS (mm AND kg)

TYPE	A	B	C	D	E	F	G
KPA-2500	270	152	161	19	102	219	17
KPA-5000	270	152	215	19	102	219	17
KPA-8000	270	152	215	19	102	219	17
KPA-10000	406	229	277	25	146	324	21
KPA-16000	406	229	277	25	146	324	21
KPA-20000	521	279	300	N/A	181	422	27
KPA-32000	521	279	300	N/A	181	422	27
KPA-40000	521	279	330	N/A	181	422	27

STANDARD RATINGS		LOAD CAPACITY
TYPE	SIZE	
KPA	2500	1134
KPA	5000	2268
KPA	8000	3629
KPA	10000	4536
KPA	16000	7257
KPA	20000	9072
KPA	32000	14515
KPA	40000	18144



SPECIFICATIONS:

- VERTICALLY AND Laterally RESTRAINED ISOLATOR WITH REPLACEABLE NEOPRENE SNUBBING ELEMENTS.
- PAINTED HOUSINGS.



KINETICS NOISE CONTROL, INC
6300 IRELAN PL.
DUBLIN, OH 43017 USA
Ph: 614 889-0480, Fax: 614 889-0540
www.kineticsnoise.com

Model:
KPA-
2500/40000

By: BB
Date: 11/01/06
Revised: /

Drawing No:
S-04.50-12
M