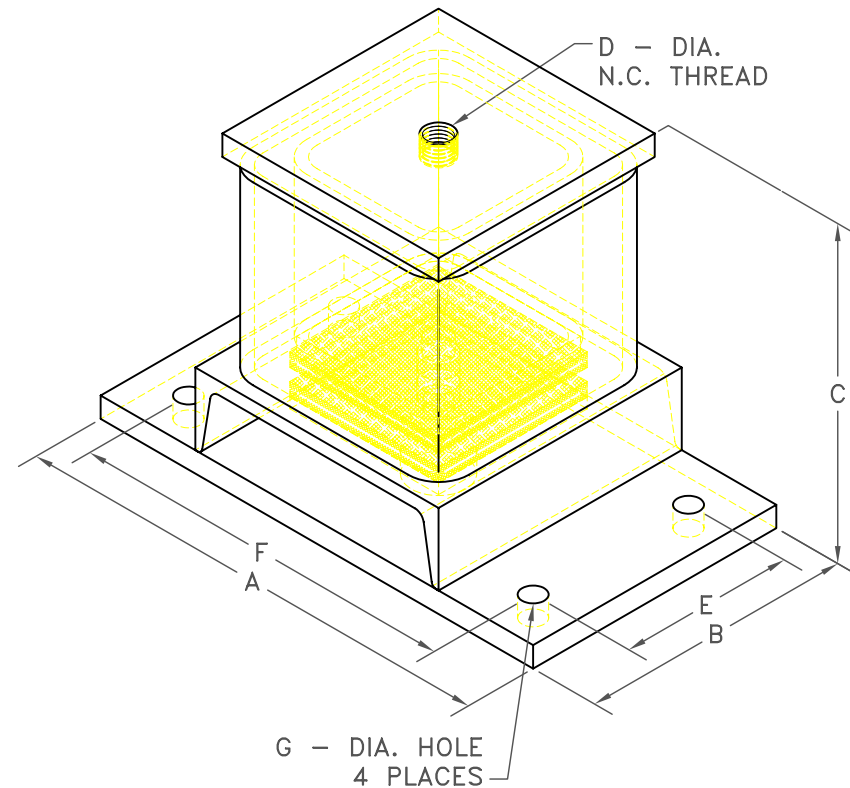


**KPA PIPE ANCHOR**  
IP UNITS (INCHES AND POUNDS)

TYPE	A	B	C	D	E	F	G
KPA-2500	10.63	6.00	6.34	0.75	4.00	8.63	0.69
KPA-5000	10.63	6.00	8.47	0.75	4.00	8.63	0.69
KPA-8000	10.63	6.00	8.47	0.75	4.00	8.63	0.69
KPA-10000	16.00	9.00	10.90	1.00	5.75	12.75	0.81
KPA-16000	16.00	9.00	10.90	1.00	5.75	12.75	0.81
KPA-20000	20.50	11.00	11.80	N/A	7.13	16.63	1.06
KPA-32000	20.50	11.00	11.80	N/A	7.13	16.63	1.06
KPA-40000	20.50	11.00	13.00	N/A	7.13	16.63	1.06

STANDARD RATINGS		LOAD CAPACITY
TYPE	SIZE	
KPA	2500	2500
KPA	5000	5000
KPA	8000	8000
KPA	10000	10000
KPA	16000	16000
KPA	20000	20000
KPA	32000	32000
KPA	40000	40000



**SPECIFICATIONS:**

- VERTICALLY AND Laterally RESTRAINED ISOLATOR WITH REPLACEABLE NEOPRENE SNUBBING ELEMENTS.
- PAINTED HOUSINGS.



KINETICS NOISE CONTROL, INC  
6300 IRELAN PL,  
DUBLIN, OH 43017 USA  
Ph: 614 889-0480, Fax: 614 889-0540  
www.kineticsnoise.com

Model:  
**KPA-2500/40000**

By: BB  
Date: 11/01/06  
Revised: /

Drawing No:  
**S-04.50-12**