

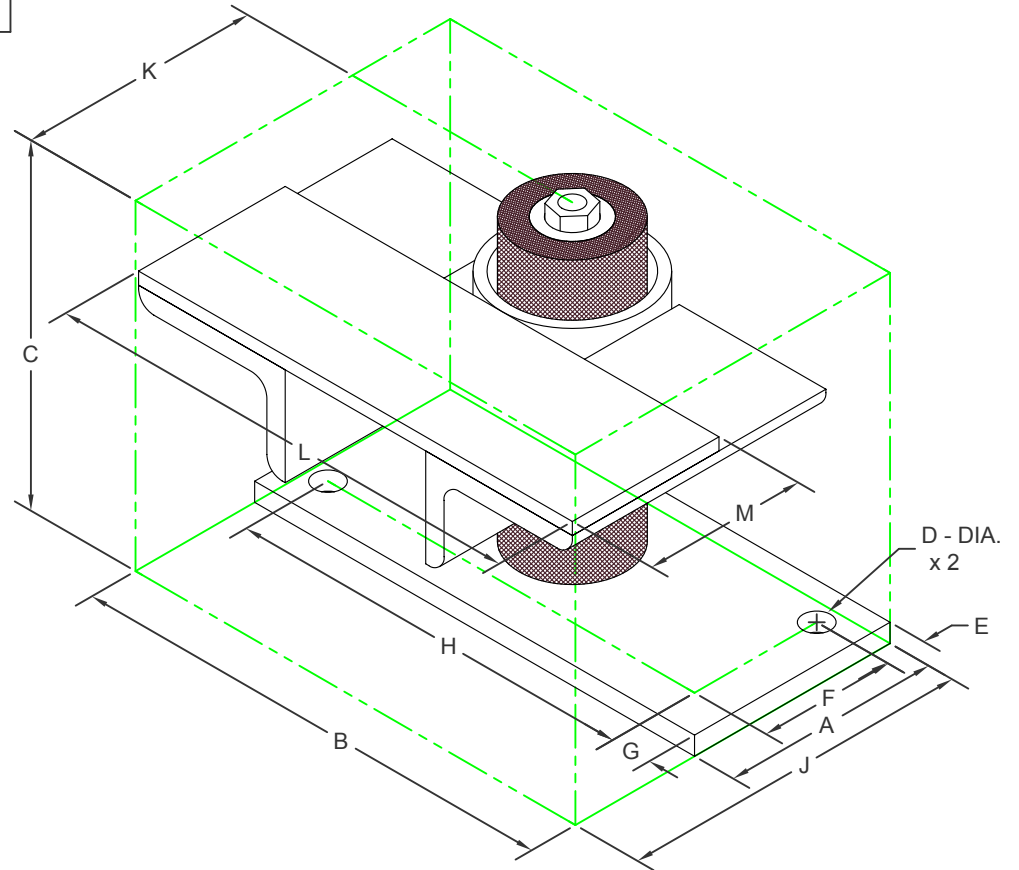
## KRG RISER GUIDE

IP UNITS (INCHES AND LBS)

ITEM	A	B	C	D	E	F	G	H	J	K	L	M
KRGA	3.00	6.00	6.73	0.44	0.56	1.88	0.56	4.88	4.45	2.95	5.00	2.00
KRGB	4.00	9.00	6.57	0.56	0.75	2.50	0.75	7.50	6.44	4.44	8.88	3.00
KRGC	5.00	9.50	6.69	0.69	0.94	3.13	0.94	7.63	6.94	4.44	8.88	3.00
KRGD	6.00	11.00	6.63	0.81	1.13	3.75	1.13	8.75	8.75	5.75	9.50	4.00
KRGE	6.00	11.75	7.75	0.81	1.13	3.75	1.13	8.75	9.88	6.88	11.75	4.00

## STANDARD RATINGS (LRFD)

TYPE	SIZE	HORIZONTAL LOAD CAPACITY		MAX. VERTICAL TRAVEL
		WELDED OR BOLTED TO STEEL	ATTACHED W/ KCCAB CONCRETE ANCHOR	
KRG	A	530	499	3.50
KRG	B	810	810	3.50
KRG	C	1500	1500	3.50
KRG	D	2400	2400	3.50
KRG	E	5000	N.A.	3.50



### SPECIFICATIONS:

- LATERALLY RESTRAINED, VERTICALLY FLOATING, RISER GUIDE WITH REPLACEABLE NEOPRENE SNUBBING ELEMENT.
- APPLICATION TEMPERATURE RANGE IS 0° F (-18 C) TO 220° F (104 C).
- ISOLATORS ARE PAINTED.
- FOR CONCRETE ANCHORS, THE CONCRETE SHALL HAVE A MIN. COMPRESSIVE STRENGTH OF 3000 PSI (211 kg/cm<sup>2</sup>).



KINETICS NOISE CONTROL, INC  
6300 IRELAN PL,  
DUBLIN, OH 43017 USA  
Ph: 614 889-0480, Fax: 614 889-0540  
www.kineticsnoise.com

Model:  
**KRG  
RISER GUIDE**

By: BB  
Date: 07/11/08  
Revised: 05/21/15/BB

Drawing No:  
**S-04.61-02**