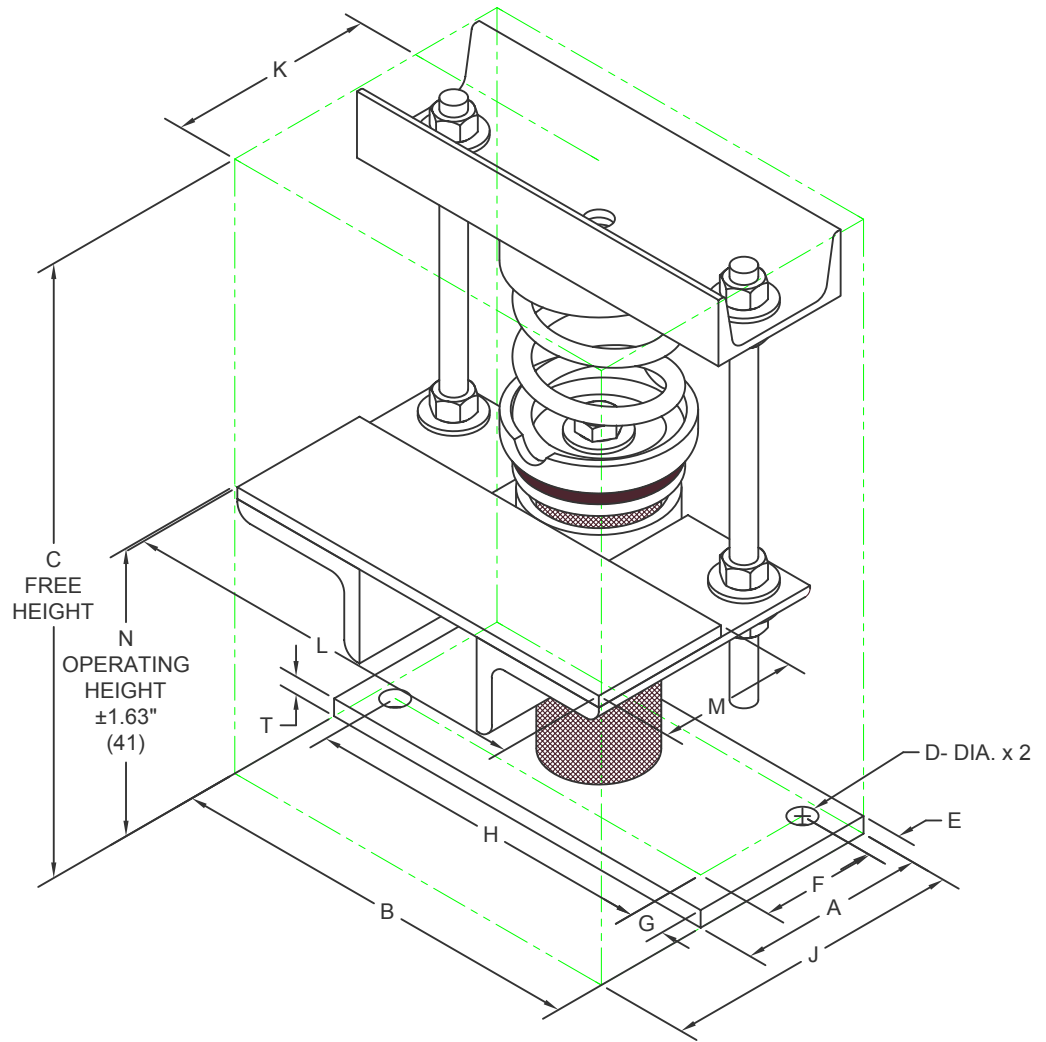


KRG 25 mm DEFLECTION ISOLATED RISER GUIDES

S-I UNITS (mm AND kg)

TYPE	A	B	C	D	E	F	G	H	J	K	L	M	N	T
KRGA	76	152	322	11	14	48	14	124	113	75	127	51	102	6
KRGB	102	229	326	14	19	64	19	191	164	113	225	76	114	10
KRGC	127	241	332	17	24	79	24	194	176	113	225	76	121	13
KRGD	152	279	339	21	29	95	29	222	222	146	241	102	114	13

STANDARD RATINGS	TYPE	SIZE	COLOR		FREE		RATED	
			OUTER	INNER	HT.	O.D.	LOAD	DEFL.
KRGA	1-35	BLUE			81	44	16	39
KRGA	1-70	GREEN			81	44	32	35
KRGA	1-120	GRAY			81	44	54	30
KRGA	1-220	BROWN			81	44	100	27
KRGA	1-370	ORANGE			81	44	168	24
KRGA	1-500	BEIGE			81	44	227	25
KRGA	1-600	CHROME			81	44	272	25
KRGA	1-700	BEIGE	WHITE		81	44	318	25
KRGA	1-805	CHROME	WHITE		81	44	365	26
KRGB	1-50	BEIGE			107	76	23	25
KRGB	1-100	CHROME			107	76	45	25
KRGB	1-250	BLUE			107	76	113	45
KRGB	1-450	GREEN			107	76	204	39
KRGB	1-625	BLACK			107	76	283	37
KRGB	1-800	GRAY			107	76	363	33
KRGB	1-1000	RED			107	76	454	29
KRGB	1-1250	BROWN			107	76	567	28
KRGB	1-1700	ORANGE			107	76	771	24
KRGB	1-2200	ORANGE	GRAY		107	76	998	26
KRGB	1-2465	BLUE			107	76	1118	25
KRGC	1-50	BEIGE			107	76	23	25
KRGC	1-100	CHROME			107	76	45	25
KRGC	1-250	BLUE			107	76	113	45
KRGC	1-450	GREEN			107	76	204	39
KRGC	1-625	BLACK			107	76	283	37
KRGC	1-800	GRAY			107	76	363	33
KRGC	1-1000	RED			107	76	454	29
KRGC	1-1250	BROWN			107	76	567	28
KRGC	1-1700	ORANGE			107	76	771	24
KRGC	1-2200	ORANGE	GRAY		107	76	998	26
KRGC	1-2465	BLUE			107	76	1118	25
KRGD	1-50	BEIGE			107	76	23	25
KRGD	1-100	CHROME			107	76	45	25
KRGD	1-250	BLUE			107	76	113	45
KRGD	1-450	GREEN			107	76	204	39
KRGD	1-625	BLACK			107	76	283	37
KRGD	1-800	GRAY			107	76	363	33
KRGD	1-1000	RED			107	76	454	29
KRGD	1-1250	BROWN			107	76	567	28
KRGD	1-1700	ORANGE			107	76	771	24
KRGD	1-2200	ORANGE	GRAY		107	76	998	26
KRGD	1-2465	BLUE			107	76	1118	25



SPECIFICATIONS:

- VERTICALLY SPRUNG, Laterally RESTRAINED, RISER GUIDE WITH REPLACEABLE NEOPRENE SNUBBING ELEMENT.
- POWDER COATED SPRING ELEMENT. OTHER METALLIC COMPONENTS PAINTED.
- MINIMUM OVERLOAD OF 50%.
- MINIMUM Kx/Ky RATIO OF 1.0.
- ALL ELEMENTS SAFE AT SOLID LOADING.
- ALL THREADED MEMBERS ARE AMERICAN STANDARD.
- APPLICATION TEMPERATURE RANGE IS 0° F (-18° C) TO 220° F (104° C).

SEE DRAWING S-04.61-02 FOR KRG LOAD CAPACITY DATA.



KINETICS NOISE CONTROL, INC
6300 IRELAN PL,
DUBLIN, OH 43017 USA
Ph: 614 889-0480, Fax: 614 889-0540
www.kineticsnoise.com

Model:
KRG-1-35/2465

By: **BB**
Date: **07/11/08**
Revised: **05/21/15/BB**

Drawing No:
S-04.61-11 METRIC