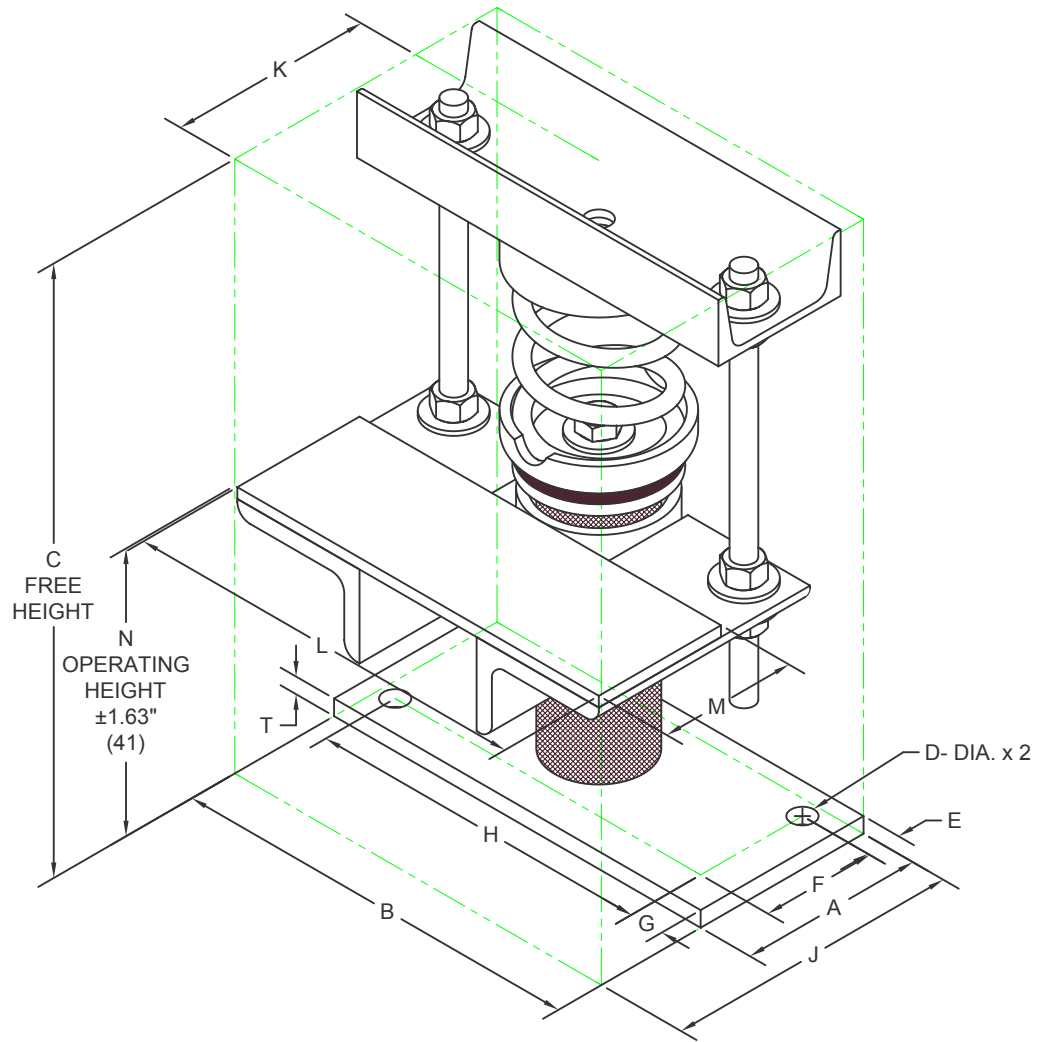


KRG 1" DEFLECTION ISOLATED RISER GUIDES
IP UNITS (INCHES AND POUNDS)

| TYPE | A | B | C | D | E | F | G | H | J | K | L | M | N | T |
|------|------|-------|-------|------|------|------|------|------|------|------|------|------|------|------|
| KRGA | 3.00 | 6.00 | 12.68 | 0.44 | 0.56 | 1.88 | 0.56 | 4.88 | 4.45 | 2.95 | 5.00 | 2.00 | 4.00 | 0.25 |
| KRGB | 4.00 | 9.00 | 12.84 | 0.56 | 0.75 | 2.50 | 0.75 | 7.50 | 6.44 | 4.44 | 8.88 | 3.00 | 4.50 | 0.38 |
| KRGC | 5.00 | 9.50 | 13.09 | 0.69 | 0.94 | 3.13 | 0.94 | 7.63 | 6.94 | 4.44 | 8.88 | 3.00 | 4.75 | 0.50 |
| KRGD | 6.00 | 11.00 | 13.34 | 0.81 | 1.13 | 3.75 | 1.13 | 8.75 | 8.75 | 5.75 | 9.50 | 4.00 | 4.50 | 0.50 |

| STANDARD RATINGS | SPRING COIL | | | | | | | |
|------------------|-------------|--------|-------|--|----------|------|------------|-------|
| | TYPE | SIZE | COLOR | | FREE HT. | O.D. | RATED LOAD | DEFL. |
| KRGA | 1-35 | BLUE | | | 3.19 | 1.75 | 35 | 1.52 |
| KRGA | 1-70 | GREEN | | | 3.19 | 1.75 | 70 | 1.36 |
| KRGA | 1-120 | GRAY | | | 3.19 | 1.75 | 120 | 1.18 |
| KRGA | 1-220 | BROWN | | | 3.19 | 1.75 | 220 | 1.07 |
| KRGA | 1-370 | ORANGE | | | 3.19 | 1.75 | 370 | 0.96 |
| KRGA | 1-500 | BEIGE | | | 3.19 | 1.75 | 500 | 1.00 |
| KRGA | 1-600 | CHROME | | | 3.19 | 1.75 | 600 | 1.00 |
| KRGA | 1-700 | BEIGE | WHITE | | 3.19 | 1.75 | 700 | 1.00 |
| KRGA | 1-805 | CHROME | WHITE | | 3.19 | 1.75 | 805 | 1.01 |
| KRGB | 1-50 | BEIGE | | | 4.20 | 3.00 | 50 | 1.00 |
| KRGB | 1-100 | CHROME | | | 4.20 | 3.00 | 100 | 1.00 |
| KRGB | 1-250 | BLUE | | | 4.20 | 3.00 | 250 | 1.79 |
| KRGB | 1-450 | GREEN | | | 4.20 | 3.00 | 450 | 1.54 |
| KRGB | 1-625 | BLACK | | | 4.20 | 3.00 | 625 | 1.44 |
| KRGB | 1-800 | GRAY | | | 4.20 | 3.00 | 800 | 1.31 |
| KRGB | 1-1000 | RED | | | 4.20 | 3.00 | 1000 | 1.15 |
| KRGB | 1-1250 | BROWN | | | 4.20 | 3.00 | 1250 | 1.09 |
| KRGB | 1-1700 | ORANGE | | | 4.20 | 3.00 | 1700 | 0.95 |
| KRGB | 1-2200 | ORANGE | GRAY | | 4.20 | 3.00 | 2200 | 1.00 |
| KRGB | 1-2465 | BLUE | | | 4.20 | 3.00 | 2465 | 1.00 |
| KRGC | 1-50 | BEIGE | | | 4.20 | 3.00 | 50 | 1.00 |
| KRGC | 1-100 | CHROME | | | 4.20 | 3.00 | 100 | 1.00 |
| KRGC | 1-250 | BLUE | | | 4.20 | 3.00 | 250 | 1.79 |
| KRGC | 1-450 | GREEN | | | 4.20 | 3.00 | 450 | 1.54 |
| KRGC | 1-625 | BLACK | | | 4.20 | 3.00 | 625 | 1.44 |
| KRGC | 1-800 | GRAY | | | 4.20 | 3.00 | 800 | 1.31 |
| KRGC | 1-1000 | RED | | | 4.20 | 3.00 | 1000 | 1.15 |
| KRGC | 1-1250 | BROWN | | | 4.20 | 3.00 | 1250 | 1.09 |
| KRGC | 1-1700 | ORANGE | | | 4.20 | 3.00 | 1700 | 0.95 |
| KRGC | 1-2200 | ORANGE | GRAY | | 4.20 | 3.00 | 2200 | 1.00 |
| KRGC | 1-2465 | BLUE | | | 4.20 | 3.00 | 2465 | 1.00 |
| KRGD | 1-50 | BEIGE | | | 4.20 | 3.00 | 50 | 1.00 |
| KRGD | 1-100 | CHROME | | | 4.20 | 3.00 | 100 | 1.00 |
| KRGD | 1-250 | BLUE | | | 4.20 | 3.00 | 250 | 1.79 |
| KRGD | 1-450 | GREEN | | | 4.20 | 3.00 | 450 | 1.54 |
| KRGD | 1-625 | BLACK | | | 4.20 | 3.00 | 625 | 1.44 |
| KRGD | 1-800 | GRAY | | | 4.20 | 3.00 | 800 | 1.31 |
| KRGD | 1-1000 | RED | | | 4.20 | 3.00 | 1000 | 1.15 |
| KRGD | 1-1250 | BROWN | | | 4.20 | 3.00 | 1250 | 1.09 |
| KRGD | 1-1700 | ORANGE | | | 4.20 | 3.00 | 1700 | 0.95 |
| KRGD | 1-2200 | ORANGE | GRAY | | 4.20 | 3.00 | 2200 | 1.00 |
| KRGD | 1-2465 | BLUE | | | 4.20 | 3.00 | 2465 | 1.00 |



SPECIFICATIONS:

- VERTICALLY SPRUNG, Laterally restrained, riser guide with replaceable neoprene snubbing element.
- POWDER COATED SPRING ELEMENT. OTHER METALLIC COMPONENTS PAINTED.
- MINIMUM OVERLOAD OF 50%.
- MINIMUM Kx/Ky RATIO OF 1.0.
- ALL ELEMENTS SAFE AT SOLID LOADING.
- ALL THREADED MEMBERS ARE AMERICAN STANDARD.
- APPLICATION TEMPERATURE RANGE IS 0° F (-18° C) TO 220° F (104° C).

SEE DRAWING S-04.61-02 FOR KRG LOAD CAPACITY DATA.



KINETICS NOISE CONTROL, INC
6300 IRELAN PL,
DUBLIN, OH 43017 USA
Ph: 614 889-0480, Fax: 614 889-0540
www.kineticsnoise.com

Model:

KRG-1-35/2465

By: **BB**

Date: **07/11/08**

Revised: **05/21/15/BB**

Drawing No:

S-04.61-11