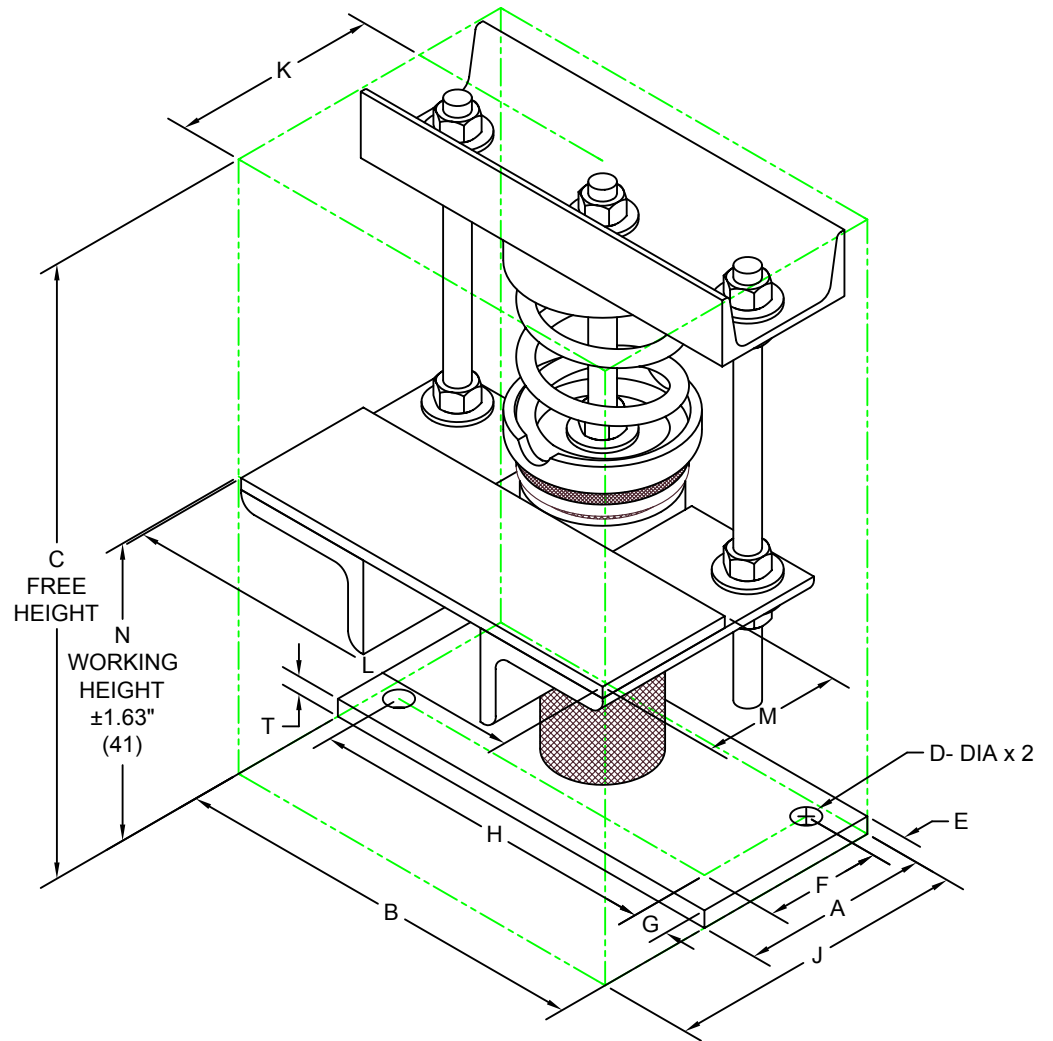


### KRG-R 25 mm DEFLECTION ISOLATED RISER GUIDES

S-I UNITS (mm AND kg)

| TYPE   | A   | B   | C   | D  | E  | F  | G  | H   | J   | K   | L   | M   | N   | T  |
|--------|-----|-----|-----|----|----|----|----|-----|-----|-----|-----|-----|-----|----|
| KRGA-R | 76  | 152 | 322 | 11 | 14 | 48 | 14 | 124 | 113 | 75  | 127 | 51  | 102 | 6  |
| KRGB-R | 102 | 229 | 326 | 14 | 19 | 64 | 19 | 191 | 164 | 113 | 225 | 76  | 114 | 10 |
| KRGC-R | 127 | 241 | 332 | 17 | 24 | 79 | 24 | 194 | 176 | 113 | 225 | 76  | 121 | 13 |
| KRGD-R | 152 | 279 | 339 | 21 | 29 | 95 | 29 | 222 | 222 | 146 | 241 | 102 | 114 | 13 |

| STANDARD RATINGS |        | SPRING COIL |       |      |      |       |       |
|------------------|--------|-------------|-------|------|------|-------|-------|
| TYPE             | SIZE   | COLOR       |       | FREE |      | RATED |       |
|                  |        | OUTER       | INNER | HT.  | O.D. | LOAD  | DEFL. |
| KRGA-R           | 1-35   | BLUE        |       | 81   | 44   | 16    | 39    |
| KRGA-R           | 1-70   | GREEN       |       | 81   | 44   | 32    | 35    |
| KRGA-R           | 1-120  | GRAY        |       | 81   | 44   | 54    | 30    |
| KRGA-R           | 1-220  | BROWN       |       | 81   | 44   | 100   | 27    |
| KRGA-R           | 1-370  | ORANGE      |       | 81   | 44   | 168   | 24    |
| KRGA-R           | 1-500  | BEIGE       |       | 81   | 44   | 227   | 25    |
| KRGA-R           | 1-600  | CHROME      |       | 81   | 44   | 272   | 25    |
| KRGA-R           | 1-700  | BEIGE       | WHITE | 81   | 44   | 318   | 25    |
| KRGA-R           | 1-805  | CHROME      | WHITE | 81   | 44   | 365   | 26    |
| KRGB-R           | 1-50   | BEIGE       |       | 107  | 76   | 23    | 25    |
| KRGB-R           | 1-100  | CHROME      |       | 107  | 76   | 45    | 25    |
| KRGB-R           | 1-250  | BLUE        |       | 107  | 76   | 113   | 45    |
| KRGB-R           | 1-450  | GREEN       |       | 107  | 76   | 204   | 39    |
| KRGB-R           | 1-625  | BLACK       |       | 107  | 76   | 283   | 37    |
| KRGB-R           | 1-800  | GRAY        |       | 107  | 76   | 363   | 33    |
| KRGB-R           | 1-1000 | RED         |       | 107  | 76   | 454   | 29    |
| KRGB-R           | 1-1250 | BROWN       |       | 107  | 76   | 567   | 28    |
| KRGB-R           | 1-1700 | ORANGE      |       | 107  | 76   | 771   | 24    |
| KRGB-R           | 1-2200 | ORANGE      | GRAY  | 107  | 76   | 998   | 26    |
| KRGB-R           | 1-2465 | BLUE        |       | 107  | 76   | 1118  | 25    |
| KRGC-R           | 1-50   | BEIGE       |       | 107  | 76   | 23    | 25    |
| KRGC-R           | 1-100  | CHROME      |       | 107  | 76   | 45    | 25    |
| KRGC-R           | 1-250  | BLUE        |       | 107  | 76   | 113   | 45    |
| KRGC-R           | 1-450  | GREEN       |       | 107  | 76   | 204   | 39    |
| KRGC-R           | 1-625  | BLACK       |       | 107  | 76   | 283   | 37    |
| KRGC-R           | 1-800  | GRAY        |       | 107  | 76   | 363   | 33    |
| KRGC-R           | 1-1000 | RED         |       | 107  | 76   | 454   | 29    |
| KRGC-R           | 1-1250 | BROWN       |       | 107  | 76   | 567   | 28    |
| KRGC-R           | 1-1700 | ORANGE      |       | 107  | 76   | 771   | 24    |
| KRGC-R           | 1-2200 | ORANGE      | GRAY  | 107  | 76   | 998   | 26    |
| KRGC-R           | 1-2465 | BLUE        |       | 107  | 76   | 1118  | 25    |
| KRGD-R           | 1-50   | BEIGE       |       | 107  | 76   | 23    | 25    |
| KRGD-R           | 1-100  | CHROME      |       | 107  | 76   | 45    | 25    |
| KRGD-R           | 1-250  | BLUE        |       | 107  | 76   | 113   | 45    |
| KRGD-R           | 1-450  | GREEN       |       | 107  | 76   | 204   | 39    |
| KRGD-R           | 1-625  | BLACK       |       | 107  | 76   | 283   | 37    |
| KRGD-R           | 1-800  | GRAY        |       | 107  | 76   | 363   | 33    |
| KRGD-R           | 1-1000 | RED         |       | 107  | 76   | 454   | 29    |
| KRGD-R           | 1-1250 | BROWN       |       | 107  | 76   | 567   | 28    |
| KRGD-R           | 1-1700 | ORANGE      |       | 107  | 76   | 771   | 24    |
| KRGD-R           | 1-2200 | ORANGE      | GRAY  | 107  | 76   | 998   | 26    |
| KRGD-R           | 1-2465 | BLUE        |       | 107  | 76   | 1118  | 25    |



**SPECIFICATIONS:**

- VERTICALLY SPRUNG, LATERALLY RESTRAINED, RISER GUIDE WITH REPLACEABLE NEOPRENE SNUBBING ELEMENT.
- POWDER COATED SPRING ELEMENT. OTHER METALLIC COMPONENTS PAINTED.
- MINIMUM OVERLOAD OF 50%.
- MINIMUM Kx/Ky RATIO OF 1.0.
- ALL ELEMENTS SAFE AT SOLID LOADING.
- ALL THREADED MEMBERS ARE AMERICAN STANDARD.
- APPLICATION TEMPERATURE RANGE IS 0° F (-18° C) TO 220° F (104° C).

SEE DRAWING S-04.61-02 FOR KRG LOAD CAPACITY DATA.



KINETICS NOISE CONTROL, INC  
6300 IRELAN PL,  
DUBLIN, OH 43017 USA  
Ph: 614 889-0480, Fax: 614 889-0540  
www.kineticsnoise.com

Model:  
**KRG-R-1-35/2465**

By: BB  
Date: 07/11/08  
Revised: 05/21/15/BB

Drawing No:  
**S-04.61-12 METRIC**