

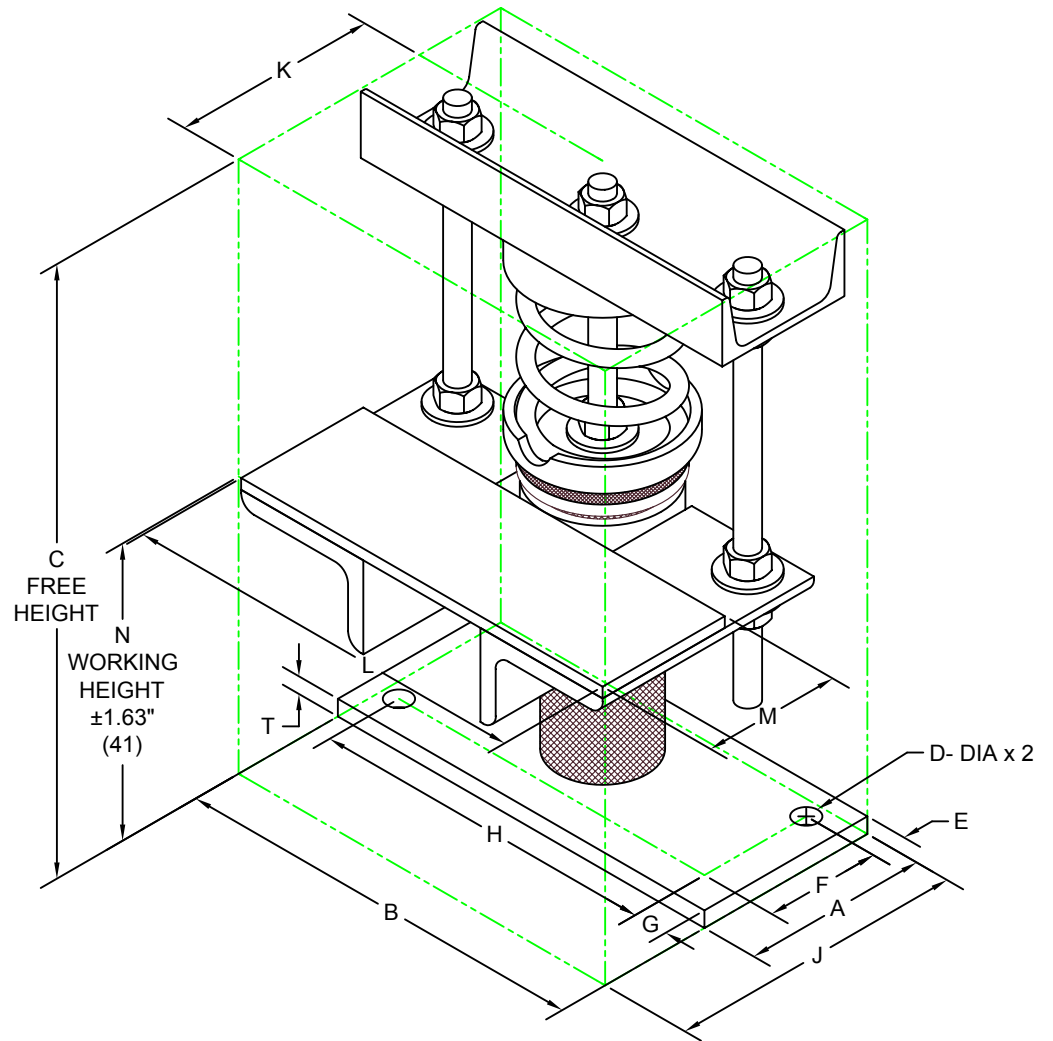
KRG-R 1" INCH DEFLECTION ISOLATED RISER GUIDES

IP UNITS (INCHES AND POUNDS)

TYPE	A	B	C	D	E	F	G	H	J	K	L	M	N	T
KRGA-R	3.00	6.00	12.68	0.44	0.56	1.88	0.56	4.88	4.45	2.95	5.00	2.00	4.00	0.25
KRGB-R	4.00	9.00	12.84	0.56	0.75	2.50	0.75	7.50	6.44	4.44	8.88	3.00	4.50	0.38
KRGC-R	5.00	9.50	13.09	0.69	0.94	3.13	0.94	7.63	6.94	4.44	8.88	3.00	4.75	0.50
KRGD-R	6.00	11.00	13.34	0.81	1.13	3.75	1.13	8.75	8.75	5.75	9.50	4.00	4.50	0.50

STANDARD RATINGS		SPRING COIL					
TYPE	SIZE	COLOR		FREE		RATED	
		OUTER	INNER	HT.	O.D.	LOAD	DEFL.
KRGA-R	1-35	BLUE		3.19	1.75	35	1.52
KRGA-R	1-70	GREEN		3.19	1.75	70	1.36
KRGA-R	1-120	GRAY		3.19	1.75	120	1.18
KRGA-R	1-220	BROWN		3.19	1.75	220	1.07
KRGA-R	1-370	ORANGE		3.19	1.75	370	0.96
KRGA-R	1-500	BEIGE		3.19	1.75	500	1.00
KRGA-R	1-600	CHROME		3.19	1.75	600	1.00
KRGA-R	1-700	BEIGE	WHITE	3.19	1.75	700	1.00
KRGA-R	1-805	CHROME	WHITE	3.19	1.75	805	1.01
KRGB-R	1-50	BEIGE		4.20	3.00	50	1.00
KRGB-R	1-100	CHROME		4.20	3.00	100	1.00
KRGB-R	1-250	BLUE		4.20	3.00	250	1.79
KRGB-R	1-450	GREEN		4.20	3.00	450	1.54
KRGB-R	1-625	BLACK		4.20	3.00	625	1.44
KRGB-R	1-800	GRAY		4.20	3.00	800	1.31
KRGB-R	1-1000	RED		4.20	3.00	1000	1.15
KRGB-R	1-1250	BROWN		4.20	3.00	1250	1.09
KRGB-R	1-1700	ORANGE		4.20	3.00	1700	0.95
KRGB-R	1-2200	ORANGE	GRAY	4.20	3.00	2200	1.00
KRGB-R	1-2465	BLUE		4.20	3.00	2465	1.00
KRGC-R	1-50	BEIGE		4.20	3.00	50	1.00
KRGC-R	1-100	CHROME		4.20	3.00	100	1.00
KRGC-R	1-250	BLUE		4.20	3.00	250	1.79
KRGC-R	1-450	GREEN		4.20	3.00	450	1.54
KRGC-R	1-625	BLACK		4.20	3.00	625	1.44
KRGC-R	1-800	GRAY		4.20	3.00	800	1.31
KRGC-R	1-1000	RED		4.20	3.00	1000	1.15
KRGC-R	1-1250	BROWN		4.20	3.00	1250	1.09
KRGC-R	1-1700	ORANGE		4.20	3.00	1700	0.95
KRGC-R	1-2200	ORANGE	GRAY	4.20	3.00	2200	1.00
KRGC-R	1-2465	BLUE		4.20	3.00	2465	1.00
KRGD-R	1-50	BEIGE		4.20	3.00	50	1.00
KRGD-R	1-100	CHROME		4.20	3.00	100	1.00
KRGD-R	1-250	BLUE		4.20	3.00	250	1.79
KRGD-R	1-450	GREEN		4.20	3.00	450	1.54
KRGD-R	1-625	BLACK		4.20	3.00	625	1.44
KRGD-R	1-800	GRAY		4.20	3.00	800	1.31
KRGD-R	1-1000	RED		4.20	3.00	1000	1.15
KRGD-R	1-1250	BROWN		4.20	3.00	1250	1.09
KRGD-R	1-1700	ORANGE		4.20	3.00	1700	0.95
KRGD-R	1-2200	ORANGE	GRAY	4.20	3.00	2200	1.00
KRGD-R	1-2465	BLUE		4.20	3.00	2465	1.00

SEE DRAWING S-04.61-02 FOR KRG LOAD CAPACITY DATA.



SPECIFICATIONS:

- VERTICALLY SPRUNG, LATERALLY RESTRAINED, RISER GUIDE WITH REPLACEABLE NEOPRENE SNUBBING ELEMENT.
- POWDER COATED SPRING ELEMENT. OTHER METALLIC COMPONENTS PAINTED.
- MINIMUM OVERLOAD OF 50%.
- MINIMUM Kx/Ky RATIO OF 1.0.
- ALL ELEMENTS SAFE AT SOLID LOADING.
- ALL THREADED MEMBERS ARE AMERICAN STANDARD.
- APPLICATION TEMPERATURE RANGE IS 0° F (-18° C) TO 220° F (104° C).



KINETICS NOISE CONTROL, INC
6300 IRELAN PL,
DUBLIN, OH 43017 USA
Ph: 614 889-0480, Fax: 614 889-0540
www.kineticsnoise.com

Model:
KRG-R-1-35/2465

By: BB
Date: 07/11/08
Revised: 05/21/15/BB

Drawing No:
S-04.61-12