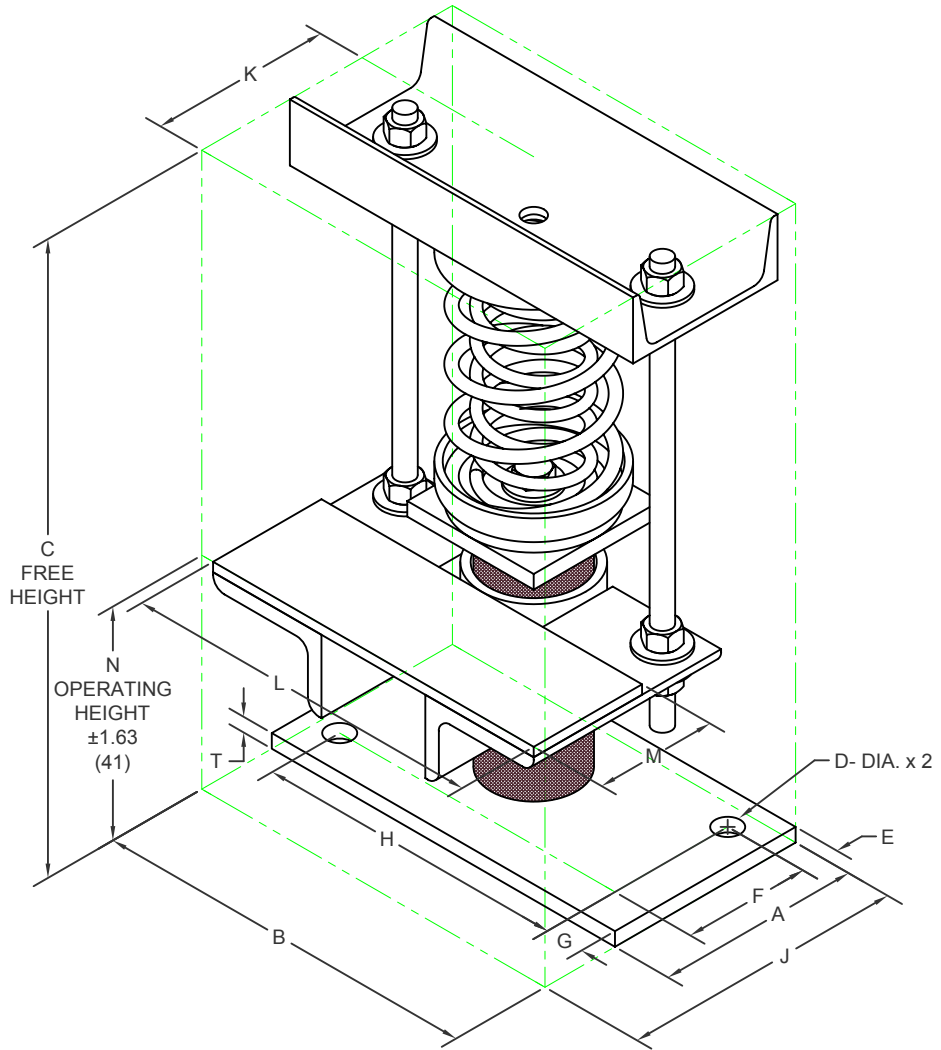


KRG 51mm DEFLECTION ISOLATED RISER GUIDES

S-1 UNITS (mm AND kg)

TYPE	A	B	C	D	E	F	G	H	J	K	L	M	N	T
KRGA	76	152	348	11	14	48	14	124	113	75	127	51	102	6
KRGB	102	229	383	14	19	64	19	191	164	113	225	76	114	10
KRGC	127	241	389	17	24	79	24	194	176	113	225	76	118	13
KRGD	152	279	391	21	29	95	29	222	222	146	241	102	114	13

STANDARD RATINGS		SPRING COIL					
TYPE	SIZE	COLOR		FREE		RATED	
		OUTER	INNER	HT.	O.D.	LOAD	DEFL.
KRGA	2-35	BLUE		105	44	16	51
KRGA	2-70	GREEN		105	44	32	51
KRGA	2-120	GRAY		105	44	54	51
KRGA	2-220	BROWN		105	44	100	51
KRGB	2-100	GRAY		155	89	45	51
KRGB	2-135	BEIGE		155	89	61	51
KRGB	2-185	BROWN		155	89	84	51
KRGB	2-225	GRAY	BROWN	155	89	102	51
KRGB	2-250	BLUE		155	89	113	51
KRGB	2-375	BLUE	BROWN	155	89	170	51
KRGB	2-500	GREEN		155	89	227	51
KRGB	2-625	GREEN	BROWN	155	89	283	51
KRGB	2-750	BLACK		155	89	340	51
KRGB	2-875	BLACK	BROWN	155	89	397	51
KRGB	2-995	ORANGE		155	89	451	51
KRGB	2-1120	ORANGE	BROWN	155	89	508	51
KRGB	2-1400	ORANGE	GREEN	155	89	635	51
KRGB	2-1600	RED		155	89	726	51
KRGB	2-1975	RED	GREEN	155	89	896	50
KRGC	2-100	GRAY		155	89	45	51
KRGC	2-135	BEIGE		155	89	61	51
KRGC	2-185	BROWN		155	89	84	51
KRGC	2-225	GRAY	BROWN	155	89	102	51
KRGC	2-250	BLUE		155	89	113	51
KRGC	2-375	BLUE	BROWN	155	89	170	51
KRGC	2-500	GREEN		155	89	227	51
KRGC	2-625	GREEN	BROWN	155	89	283	51
KRGC	2-750	BLACK		155	89	340	51
KRGC	2-875	BLACK	BROWN	155	89	397	51
KRGC	2-995	ORANGE		155	89	451	51
KRGC	2-1120	ORANGE	BROWN	155	89	508	51
KRGC	2-1400	ORANGE	GREEN	155	89	635	51
KRGC	2-1600	RED		155	89	726	51
KRGC	2-1975	RED	GREEN	155	89	896	50
KRGD	2-100	GRAY		155	89	45	51
KRGD	2-135	BEIGE		155	89	61	51
KRGD	2-185	BROWN		155	89	84	51
KRGD	2-225	GRAY	BROWN	155	89	102	51
KRGD	2-250	BLUE		155	89	113	51
KRGD	2-375	BLUE	BROWN	155	89	170	51
KRGD	2-500	GREEN		155	89	227	51
KRGD	2-625	GREEN	BROWN	155	89	283	51
KRGD	2-750	BLACK		155	89	340	51
KRGD	2-875	BLACK	BROWN	155	89	397	51
KRGD	2-995	ORANGE		155	89	451	51
KRGD	2-1120	ORANGE	BROWN	155	89	508	51
KRGD	2-1400	ORANGE	GREEN	155	89	635	51
KRGD	2-1600	RED		155	89	726	51
KRGD	2-1975	RED	GREEN	155	89	896	50



SPECIFICATIONS:

- VERTICALLY SPRUNG, LATERALLY RESTRAINED, RISER GUIDE WITH REPLACEABLE NEOPRENE SNUBBING ELEMENT.
- POWDER COATED SPRING ELEMENT. OTHER METALLIC COMPONENTS PAINTED.
- MINIMUM OVERLOAD OF 50%.
- MINIMUM Kx/Ky RATIO OF 1.0.
- ALL ELEMENTS SAFE AT SOLID LOADING.
- ALL THREADED MEMBERS ARE AMERICAN STANDARD.
- APPLICATION TEMPERATURE RANGE IS 0° F (-18° C) TO 220° F (104° C).

SEE DRAWING S-04.61-02 FOR KRG LOAD CAPACITY DATA.



KINETICS NOISE CONTROL, INC
6300 IRELAN PL,
DUBLIN, OH 43017 USA
Ph: 614 889-0480, Fax: 614 889-0540
www.kineticsnoise.com

Model:

KRG-2-35/1975

By: **BB**

Date: **07/11/08**

Revised: **05/21/15/BB**

Drawing No:

S-04.61-21 METRIC