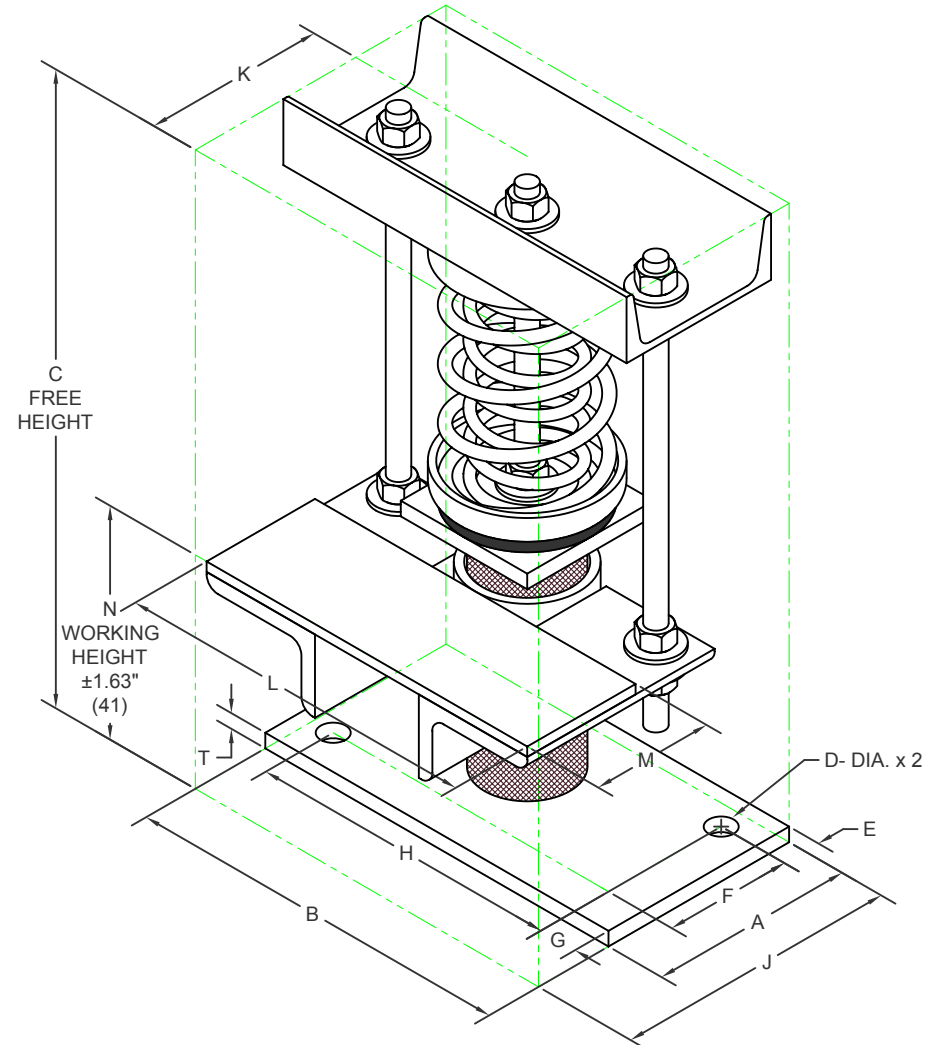


KRG-R 2" DEFLECTION ISOLATED RISER GUIDES

IP UNITS (INCHES AND POUNDS)

TYPE	A	B	C	D	E	F	G	H	J	K	L	M	N	T
KRGA	3.00	6.00	13.72	0.44	0.56	1.88	0.56	4.88	4.45	2.95	5.00	2.00	4.00	0.25
KRGB	4.00	9.00	15.07	0.56	0.75	2.50	0.75	7.50	6.44	4.44	8.88	3.00	4.50	0.38
KRGC	5.00	9.50	15.32	0.69	0.94	3.13	0.94	7.63	6.94	4.44	8.88	3.00	4.63	0.50
KRGD	6.00	11.00	15.39	0.81	1.13	3.75	1.13	8.75	8.75	5.75	9.50	4.00	4.50	0.50

STANDARD RATINGS		SPRING COIL					
TYPE	SIZE	COLOR		FREE		RATED	
		OUTER	INNER	HT.	O.D.	LOAD	DEFL.
KRGA-R	2-35	BLUE		4.13	1.75	35	2.00
KRGA-R	2-70	GREEN		4.13	1.75	70	2.00
KRGA-R	2-120	GRAY		4.13	1.75	120	2.00
KRGA-R	2-220	BROWN		4.13	1.75	220	2.00
KRGB-R	2-100	GRAY		6.09	3.50	100	2.00
KRGB-R	2-135	BEIGE		6.09	3.50	135	2.00
KRGB-R	2-185	BROWN		6.09	3.50	185	2.00
KRGB-R	2-225	GRAY	BROWN	6.09	3.50	225	2.00
KRGB-R	2-250	BLUE		6.09	3.50	250	2.00
KRGB-R	2-375	BLUE	BROWN	6.09	3.50	375	2.00
KRGB-R	2-500	GREEN		6.09	3.50	500	2.00
KRGB-R	2-625	GREEN	BROWN	6.09	3.50	625	2.00
KRGB-R	2-750	BLACK		6.09	3.50	750	2.00
KRGB-R	2-875	BLACK	BROWN	6.09	3.50	875	2.00
KRGB-R	2-995	ORANGE		6.09	3.50	995	2.00
KRGB-R	2-1120	ORANGE	BROWN	6.09	3.50	1120	2.00
KRGB-R	2-1400	ORANGE	GREEN	6.09	3.50	1400	2.01
KRGB-R	2-1600	RED		6.09	3.50	1600	2.00
KRGB-R	2-1975	RED	GREEN	6.09	3.50	1975	1.98
KRGC-R	2-100	GRAY		6.09	3.50	100	2.00
KRGC-R	2-135	BEIGE		6.09	3.50	135	2.00
KRGC-R	2-185	BROWN		6.09	3.50	185	2.00
KRGC-R	2-225	GRAY	BROWN	6.09	3.50	225	2.00
KRGC-R	2-250	BLUE		6.09	3.50	250	2.00
KRGC-R	2-375	BLUE	BROWN	6.09	3.50	375	2.00
KRGC-R	2-500	GREEN		6.09	3.50	500	2.00
KRGC-R	2-625	GREEN	BROWN	6.09	3.50	625	2.00
KRGC-R	2-750	BLACK		6.09	3.50	750	2.00
KRGC-R	2-875	BLACK	BROWN	6.09	3.50	875	2.00
KRGC-R	2-995	ORANGE		6.09	3.50	995	2.00
KRGC-R	2-1120	ORANGE	BROWN	6.09	3.50	1120	2.00
KRGC-R	2-1400	ORANGE	GREEN	6.09	3.50	1400	2.01
KRGC-R	2-1600	RED		6.09	3.50	1600	2.00
KRGC-R	2-1975	RED	GREEN	6.09	3.50	1975	1.98
KRGD-R	2-100	GRAY		6.09	3.50	100	2.00
KRGD-R	2-135	BEIGE		6.09	3.50	135	2.00
KRGD-R	2-185	BROWN		6.09	3.50	185	2.00
KRGD-R	2-225	GRAY	BROWN	6.09	3.50	225	2.00
KRGD-R	2-250	BLUE		6.09	3.50	250	2.00
KRGD-R	2-375	BLUE	BROWN	6.09	3.50	375	2.00
KRGD-R	2-500	GREEN		6.09	3.50	500	2.00
KRGD-R	2-625	GREEN	BROWN	6.09	3.50	625	2.00
KRGD-R	2-750	BLACK		6.09	3.50	750	2.00
KRGD-R	2-875	BLACK	BROWN	6.09	3.50	875	2.00
KRGD-R	2-995	ORANGE		6.09	3.50	995	2.00
KRGD-R	2-1120	ORANGE	BROWN	6.09	3.50	1120	2.00
KRGD-R	2-1400	ORANGE	GREEN	6.09	3.50	1400	2.01
KRGD-R	2-1600	RED		6.09	3.50	1600	2.00
KRGD-R	2-1975	RED	GREEN	6.09	3.50	1975	1.98



SPECIFICATIONS:

- VERTICALLY SPRUNG, Laterally RESTRAINED, RISER GUIDE WITH REPLACEABLE NEOPRENE SNUBBING ELEMENT.
- POWDER COATED SPRING ELEMENT. OTHER METALLIC COMPONENTS PAINTED.
- MINIMUM OVERLOAD OF 50%.
- MINIMUM Kx/Ky RATIO OF 1.0.
- ALL ELEMENTS SAFE AT SOLID LOADING.
- ALL THREADED MEMBERS ARE AMERICAN STANDARD.
- APPLICATION TEMPERATURE RANGE IS 0° F (-18° C) TO 220° F (104° C).

SEE DRAWING S-04.61-02 FOR KRG LOAD CAPACITY DATA.



KINETICS NOISE CONTROL, INC
 6300 IRELAN PL,
 DUBLIN, OH 43017 USA
 Ph: 614 889-0480, Fax: 614 889-0540
 www.kineticsnoise.com

Model:
KRG-R-2-35/1975

By: **BB**
 Date: **07/11/08**
 Revised: **05/21/15/BB**

Drawing No:
S-04.61-22 METRIC