

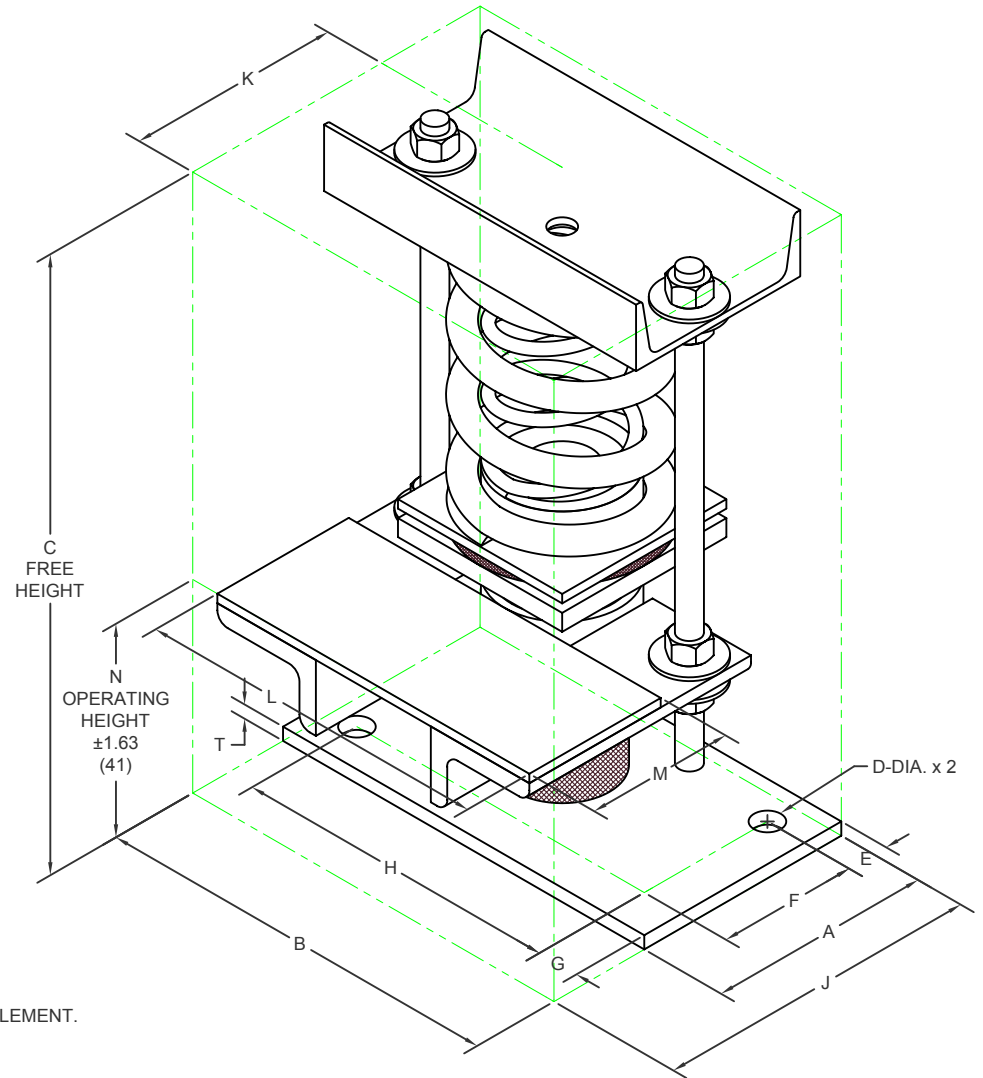
KRG 51 mm DEFLECTION ISOLATED RISER GUIDES

S-I UNITS (mm AND kg)

TYPE	A	B	C	D	E	F	G	H	J	K	L	M	N	T
KRGD	152	279	416	21	29	95	29	222	222	146	241	102	114	13

STANDARD RATINGS		SPRING COIL					
TYPE	SIZE	COLOR		FREE		RATED	
		OUTER	INNER	HT.	O.D.	LOAD	DEFL.
KRGD	2-2000	ORANGE		178	127	907	51
KRGD	2-2250	ORANGE	BLUE	178	127	1021	51
KRGD	2-2500	BLUE		178	127	1134	51
KRGD	2-2750	ORANGE	BLACK	178	127	1247	51
KRGD	2-3000	BLUE	GREEN	178	127	1361	51
KRGD	2-3600	ORANGE	RED	178	127	1633	51

SEE DRAWING S-04.61-02 FOR KRG LOAD CAPACITY DATA.



SPECIFICATIONS:

- VERTICALLY SPRUNG, Laterally RESTRAINED, RISER GUIDE WITH REPLACEABLE NEOPRENE SNUBBING ELEMENT.
- POWDER COATED SPRING ELEMENTS. OTHER METALLIC COMPONENTS PAINTED.
- MINIMUM OVERLOAD OF 50%.
- MINIMUM K_x/K_y RATIO OF 1.0.
- ALL ELEMENTS SAFE AT SOLID LOADING.
- ALL THREADED MEMBERS ARE AMERICAN STANDARD.
- APPLICATION TEMPERATURE RANGE IS 0° F (-18° C) TO 220° F (104° C).



KINETICS NOISE CONTROL, INC
6300 IRELAN PL,
DUBLIN, OH 43017 USA
Ph: 614 889-0480, Fax: 614 889-0540
www.kineticsnoise.com

Model:
KRGD-2-
2000/3600

By: BB
Date: 07/11/08
Revised: 05/21/15/BB

Drawing No:
S-04.61-23
METRIC