

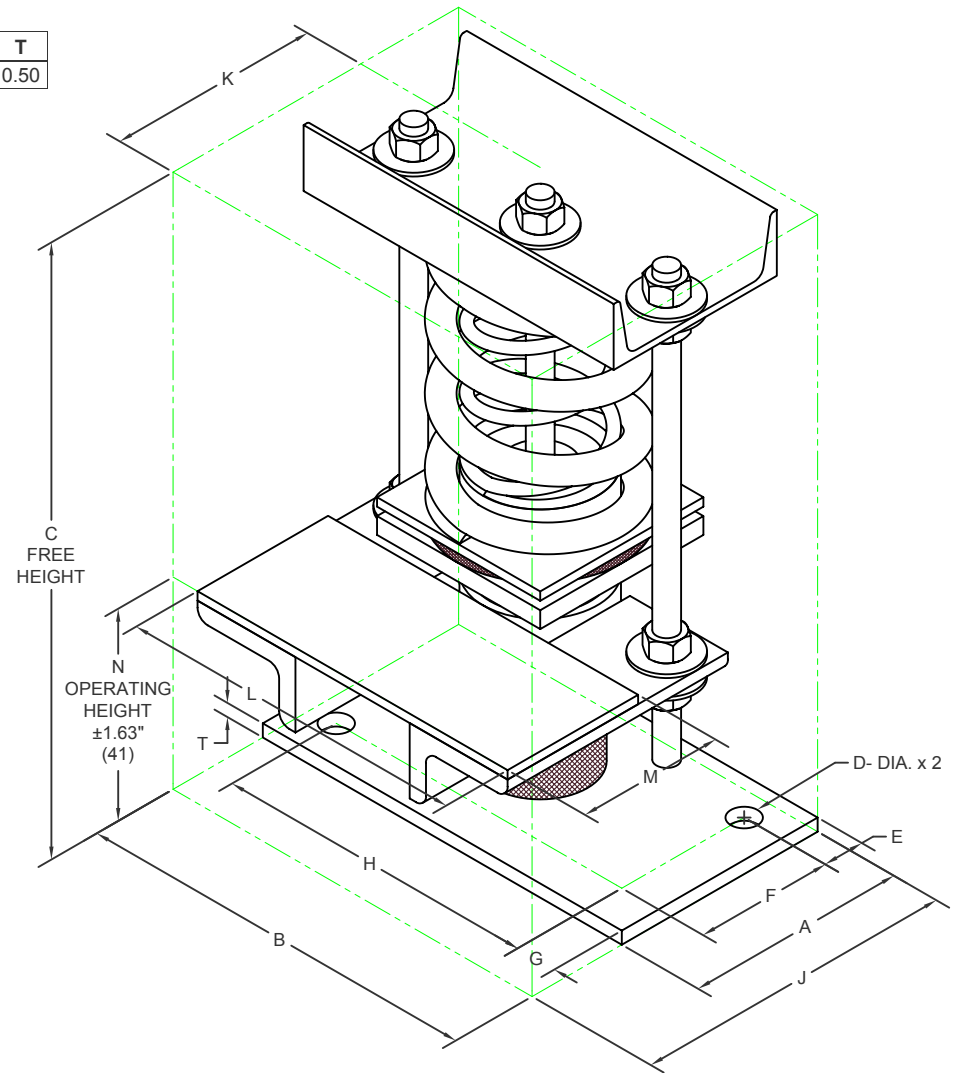
KRG-R 2" DEFLECTION ISOLATED RISER GUIDES

IP UNITS (INCHES AND POUNDS)

TYPE	A	B	C	D	E	F	G	H	J	K	L	M	N	T
KRGD	6.00	11.00	16.38	0.81	1.13	3.75	1.13	8.75	8.75	5.75	9.50	4.00	4.50	0.50

STANDARD RATINGS		SPRING COIL					
TYPE	SIZE	COLOR		FREE		RATED	
		OUTER	INNER	HT.	O.D.	LOAD	DEFL.
KRGD-R	2-2000	ORANGE		7.00	5.00	2000	2.00
KRGD-R	2-2250	ORANGE	BLUE	7.00	5.00	2250	2.00
KRGD-R	2-2500	BLUE		7.00	5.00	2500	2.00
KRGD-R	2-2750	ORANGE	BLACK	7.00	5.00	2750	2.00
KRGD-R	2-3000	BLUE	GREEN	7.00	5.00	3000	2.00
KRGD-R	2-3600	ORANGE	RED	7.00	5.00	3600	2.00

SEE DRAWING S-04.61-02 FOR KRG LOAD CAPACITY DATA.



SPECIFICATIONS:

- VERTICALLY SPRUNG, LATERALLY RESTRAINED, RISER GUIDE WITH REPLACEABLE NEOPRENE SNUBBING ELEMENT.
- POWDER COATED SPRING ELEMENT. OTHER METALLIC COMPONENTS PAINTED.
- MINIMUM OVERLOAD OF 50%.
- MINIMUM Kx/Ky RATIO OF 1.0.
- ALL ELEMENTS SAFE AT SOLID LOADING.
- ALL THREADED MEMBERS ARE AMERICAN STANDARD.
- APPLICATION TEMPERATURE RANGE IS 0° F (-18° C) TO 220° F (104° C).



KINETICS NOISE CONTROL, INC
 6300 IRELAN PL,
 DUBLIN, OH 43017 USA
 Ph: 614 889-0480, Fax: 614 889-0540
 www.kineticsnoise.com

Model:
**KRGD-R-2-
 2000/3600**

By: **BB**
 Date: **07/11/08**
 Revised: **05/21/15 /BB**

Drawing No:
S-04.61-24