

KRG 4" DEFLECTION ISOLATED RISER GUIDES

IP UNITS (INCHES AND POUNDS)

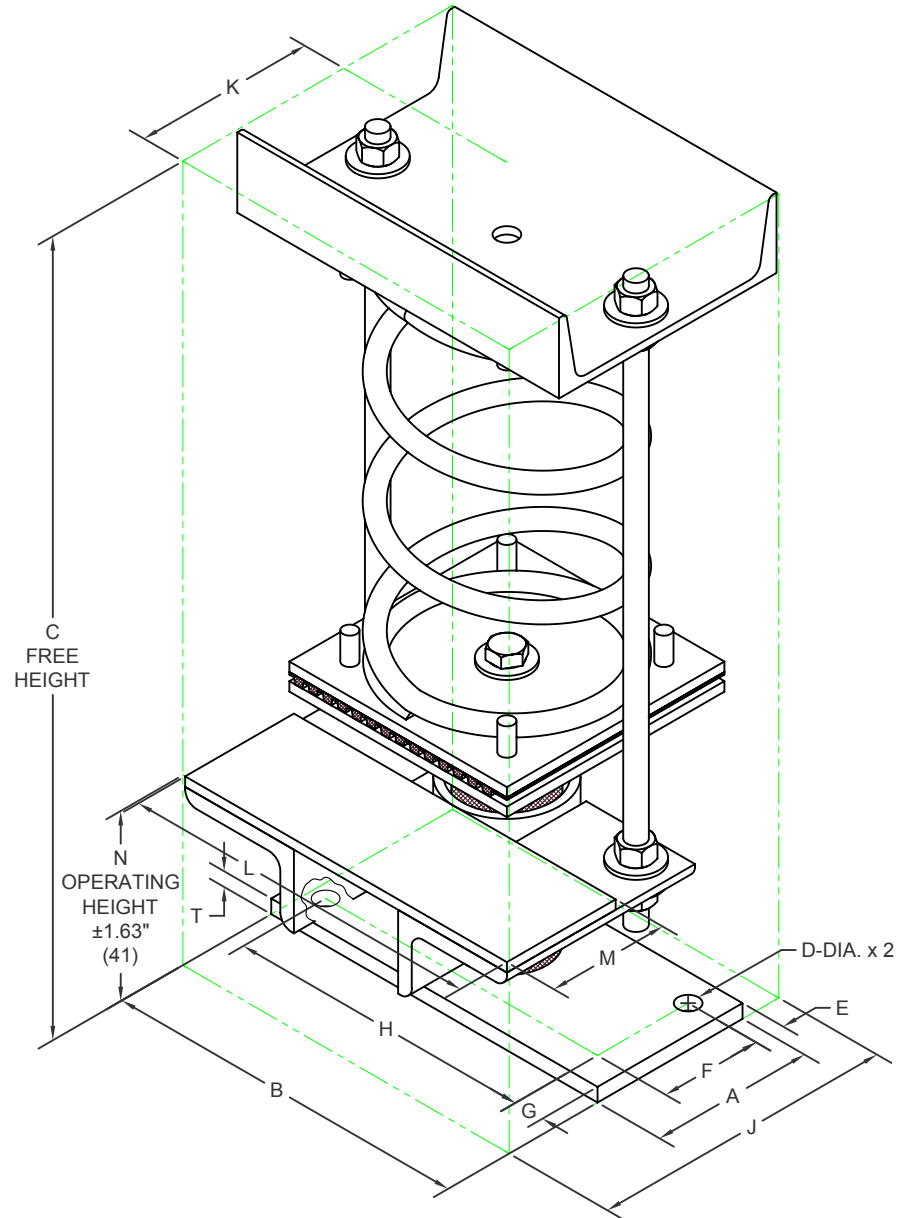
TYPE	A	B	C	D	E	F	G	H	J	K	L	M	N	T
KRGB	4.00	9.00	19.20	0.56	0.75	2.50	0.75	7.50	7.44	4.44	8.88	3.00	4.63	0.38
KRGC	5.00	9.50	19.45	0.69	0.94	3.13	0.94	7.63	7.44	4.44	8.88	3.00	4.63	0.50
KRGD	6.00	11.00	19.39	0.81	1.13	3.75	1.13	8.75	8.75	5.75	9.50	4.00	4.63	0.50

STANDARD RATINGS		SPRING COIL				
TYPE	SIZE	COLOR	FREE HT.	O.D.	RATED LOAD	DEFL.
KRGB	4-100	GRAY	10.00	5.63	100	4.00
KRGB	4-250	BLUE	10.00	5.63	250	4.00
KRGB	4-500	GREEN	10.00	5.63	500	4.00
KRGB	4-750	BLACK	10.00	5.63	750	4.00
KRGB	4-1000	RED	10.00	5.63	1000	4.00
KRGB	4-1250	BROWN	10.00	5.63	1250	4.00
KRGB	4-1600	ORANGE	10.00	5.63	1600	4.00
KRGC	4-100	GRAY	10.00	5.63	100	4.00
KRGC	4-250	BLUE	10.00	5.63	250	4.00
KRGC	4-500	GREEN	10.00	5.63	500	4.00
KRGC	4-750	BLACK	10.00	5.63	750	4.00
KRGC	4-1000	RED	10.00	5.63	1000	4.00
KRGC	4-1250	BROWN	10.00	5.63	1250	4.00
KRGC	4-1600	ORANGE	10.00	5.63	1600	4.00
KRGD	4-100	GRAY	10.00	5.63	100	4.00
KRGD	4-250	BLUE	10.00	5.63	250	4.00
KRGD	4-500	GREEN	10.00	5.63	500	4.00
KRGD	4-750	BLACK	10.00	5.63	750	4.00
KRGD	4-1000	RED	10.00	5.63	1000	4.00
KRGD	4-1250	BROWN	10.00	5.63	1250	4.00
KRGD	4-1600	ORANGE	10.00	5.63	1600	4.00

SEE DRAWING S-04.61-02 FOR KRG LOAD CAPACITY DATA.

SPECIFICATIONS:

- VERTICALLY SPRUNG, Laterally restrained, riser guide with replaceable neoprene snubbing element.
- POWDER COATED SPRING ELEMENT. OTHER METALLIC COMPONENTS PAINTED.
- MINIMUM OVERLOAD OF 50%.
- MINIMUM Kx/Ky RATIO OF 1.0.
- ALL ELEMENTS SAFE AT SOLID LOADING.
- ALL THREADED MEMBERS ARE AMERICAN STANDARD.
- APPLICATION TEMPERATURE RANGE IS 0° F (-18° C) TO 220° F (104° C).



KINETICS NOISE CONTROL, INC
 6300 IRELAN PL,
 DUBLIN, OH 43017 USA
 Ph: 614 889-0480, Fax: 614 889-0540
 www.kineticsnoise.com

Model:
KRG-4-100/1600

By: **BB**
 Date: **07/11/08**
 Revised: **05/21/15 / BB**

Drawing No:
S-04.61-41