

### KRG-R 102 mm DEFLECTION ISOLATED RISER GUIDES

S-I UNITS (mm AND kg)

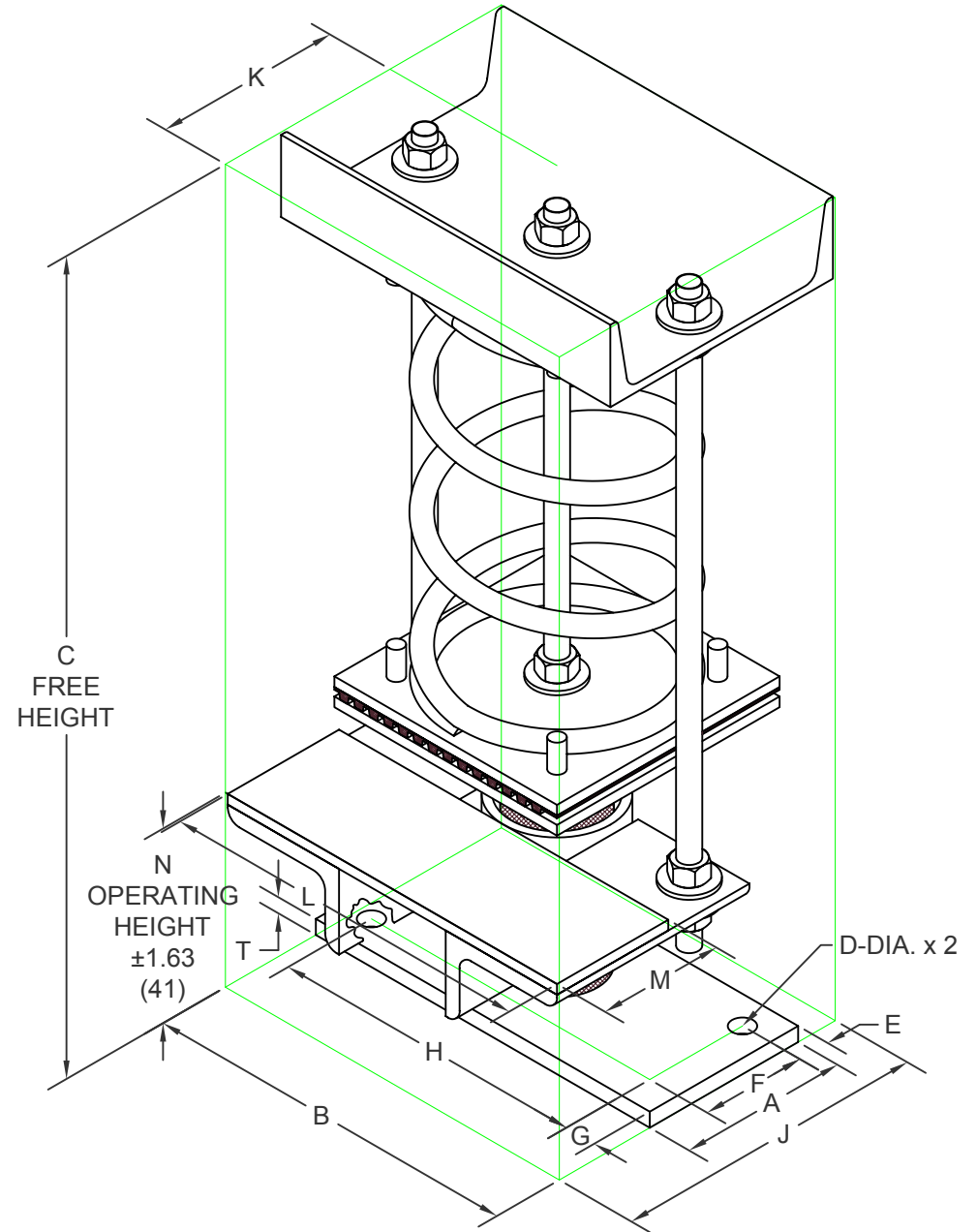
TYPE	A	B	C	D	E	F	G	H	J	K	L	M	N	T
KRGB	102	229	488	14	19	64	19	191	189	113	225	76	118	10
KRGC	127	241	494	17	24	79	24	194	189	113	225	76	118	13
KRGD	152	279	493	21	29	95	29	222	222	146	241	102	118	13

STANDARD RATINGS		SPRING COIL				
TYPE	SIZE	COLOR	FREE		RATED	
			HT.	O.D.	LOAD	DEFL.
KRGB-R	4-100	GRAY	254	143	45	102
KRGB-R	4-250	BLUE	254	143	113	102
KRGB-R	4-500	GREEN	254	143	227	102
KRGB-R	4-750	BLACK	254	143	340	102
KRGB-R	4-1000	RED	254	143	454	102
KRGB-R	4-1250	BROWN	254	143	567	102
KRGB-R	4-1600	ORANGE	254	143	726	102
KRGC-R	4-100	GRAY	254	143	45	102
KRGC-R	4-250	BLUE	254	143	113	102
KRGC-R	4-500	GREEN	254	143	227	102
KRGC-R	4-750	BLACK	254	143	340	102
KRGC-R	4-1000	RED	254	143	454	102
KRGC-R	4-1250	BROWN	254	143	567	102
KRGC-R	4-1600	ORANGE	254	143	726	102
KRGD-R	4-100	GRAY	254	143	45	102
KRGD-R	4-250	BLUE	254	143	113	102
KRGD-R	4-500	GREEN	254	143	227	102
KRGD-R	4-750	BLACK	254	143	340	102
KRGD-R	4-1000	RED	254	143	454	102
KRGD-R	4-1250	BROWN	254	143	567	102
KRGD-R	4-1600	ORANGE	254	143	726	102

SEE DRAWING S-04.61-02 FOR KRG LOAD CAPACITY DATA.

**SPECIFICATIONS:**

- VERTICALLY SPRUNG, Laterally RESTRAINED, RISER GUIDE WITH REPLACEABLE NEOPRENE SNUBBING ELEMENT.
- POWDER COATED SPRING ELEMENT. OTHER METALLIC COMPONENTS PAINTED.
- MINIMUM OVERLOAD OF 50%.
- MINIMUM Kx/Ky RATIO OF 1.0.
- ALL ELEMENTS SAFE AT SOLID LOADING.
- ALL THREADED MEMBERS ARE AMERICAN STANDARD.
- APPLICATION TEMPERATURE RANGE IS 0° F (-18 °C) TO 220° F (104 °C).



KINETICS NOISE CONTROL, INC  
 6300 IRELAN PL,  
 DUBLIN, OH 43017 USA  
 Ph: 614 889-0480, Fax: 614 889-0540  
 www.kineticsnoise.com

Model:  
**KRG-R-4-100/1600**

By: **BB**  
 Date: **07/11/08**  
 Revised: **05/21/15/BB**

Drawing No:  
**S-04.61-42**  
**METRIC**