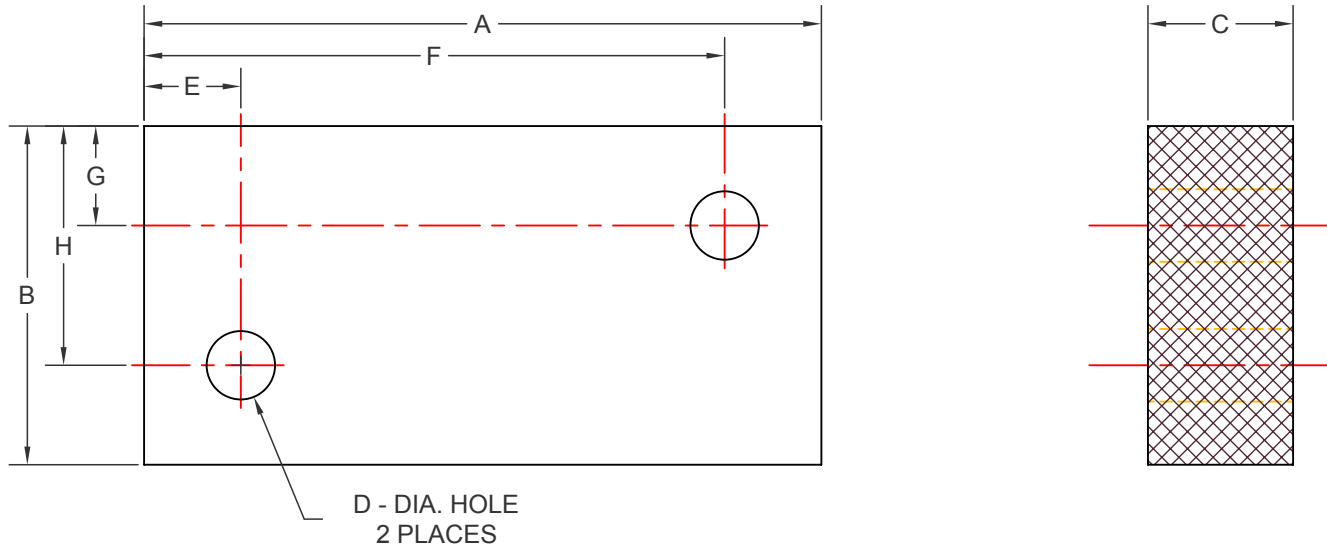


**NOTE:**

1. SPACER MADE FROM KNC NDF FLEXCO MATERIAL.
2. PAD MAY BE MADE FROM A SERIES OF BONDED COMPOSITE LAYERS.



FLS BASE PLATE FLEXCO SPACER PAD										
S-I UNITS (mm AND kg)										
ITEM	DIMENSION								USE SPACER WITH THIS ISOLATOR	WHEN PAIRED WITH THIS ISOLATOR
	A	B	C	D	E	F	G	H		
01	222	102	10	19	19	203	19	83	FLS-1-50/3500	FLS-1-2500/7000
02	356	102	16	19	13	343	25	76	FLS-1-2500/7000	FLS-1-5000/14000
03	229	127	51	19	19	210	19	108	FLS-2-100/1975	FLS-2-2000/4500
04	445	152	25	19	25	419	32	121	FLS-2-4000/9000	FLS-2-8000/18000
05	273	152	83	19	19	254	19	133	FLS-4-100/1600	FLS-4-2250/5800



KINETICS NOISE CONTROL, INC  
6300 IRELAN PL,  
DUBLIN, OH 43017 USA  
Ph: 614 889-0480, Fax: 614 889-0540  
www.kineticsnoise.com

Model:  
FLEXCO SPACERS  
FOR FLS ISOLATORS

By: BB  
Date: 05/09/18  
Revised: /

Drawing No:  
S-24.06-1A  
METRIC