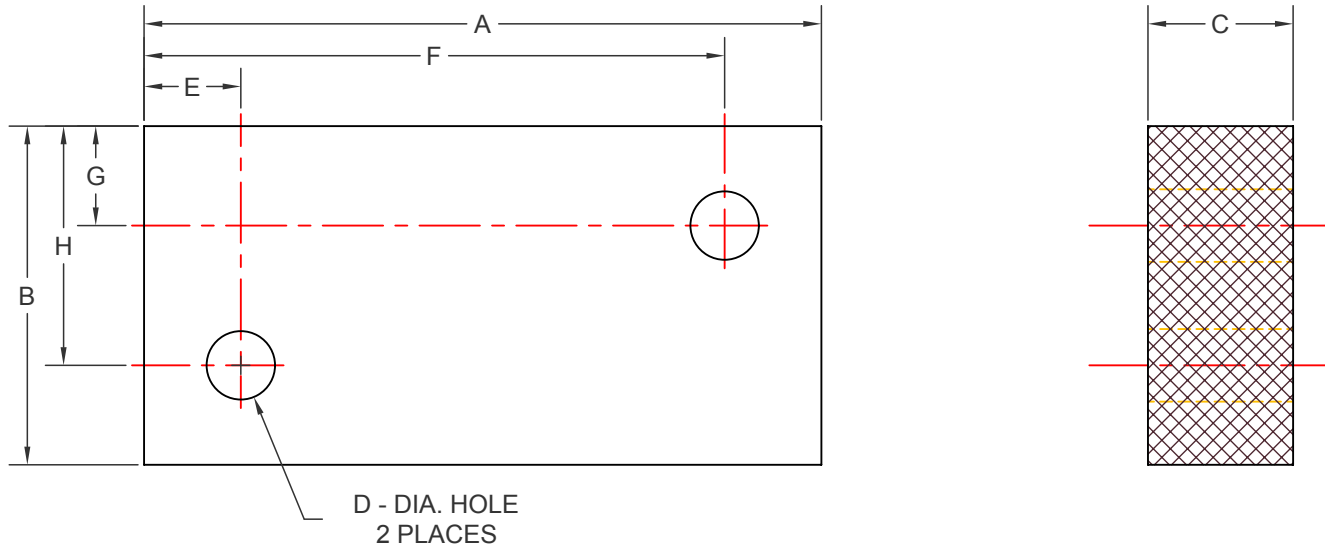


**NOTE:**

1. SPACER MADE FROM KNC NDF FLEXCO MATERIAL.
2. PAD MAY BE MADE FROM A SERIES OF BONDED COMPOSITE LAYERS.



**FLS BASE PLATE FLEXCO SPACER PAD  
IPS (INCHES AND POUNDS)**

ITEM	DIMENSION								USE SPACER WITH THIS ISOLATOR	WHEN PAIRED WITH THIS ISOLATOR
	A	B	C	D	E	F	G	H		
01	8.75	4.00	0.38	0.75	0.75	8.00	0.75	3.25	FLS-1-50/3500	FLS-1-2500/7000
02	14.00	4.00	0.63	0.75	0.50	13.50	1.00	3.00	FLS-1-2500/7000	FLS-1-5000/14000
03	9.00	5.00	2.00	0.75	0.75	8.25	0.75	4.25	FLS-2-100/1975	FLS-2-2000/4500
04	17.50	6.00	1.00	0.75	1.00	16.50	1.25	4.75	FLS-2-4000/9000	FLS-2-8000/18000
05	10.75	6.00	3.25	0.75	0.75	10.00	0.75	5.25	FLS-4-100/1600	FLS-4-2250/5800



KINETICS NOISE CONTROL, INC  
6300 IRELAN PL,  
DUBLIN, OH 43017 USA  
Ph: 614 889-0480, Fax: 614 889-0540  
www.kineticsnoise.com

Model:  
FLEXCO SPACERS  
FOR FLS ISOLATORS

By: BB  
Date: 02/08/10  
Revised: 05/09/18 / BB

Drawing No:  
S-24.06-1A