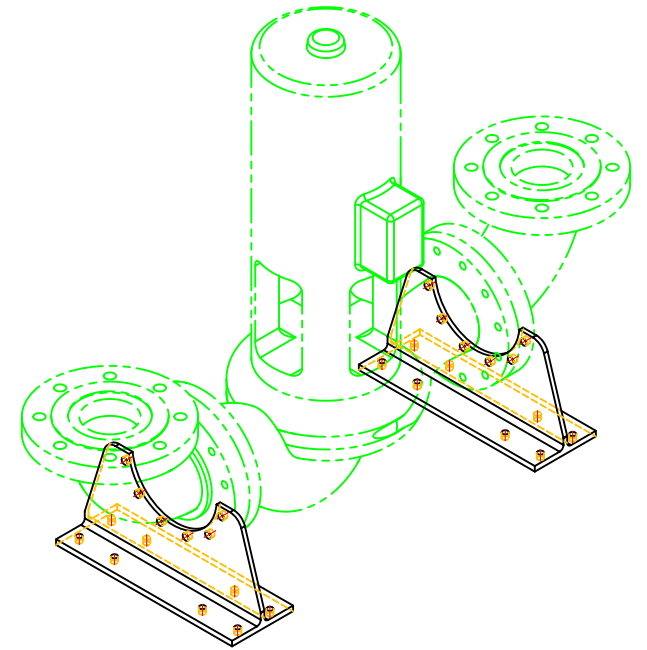


**LARGE (LPS) PUMP STAND DIMENSIONAL DATA**

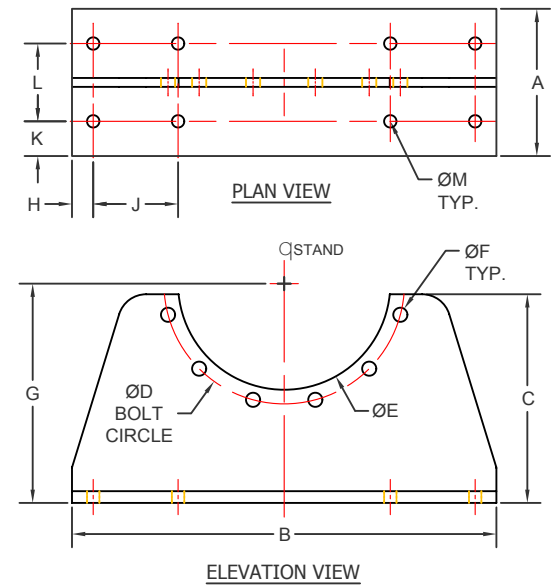
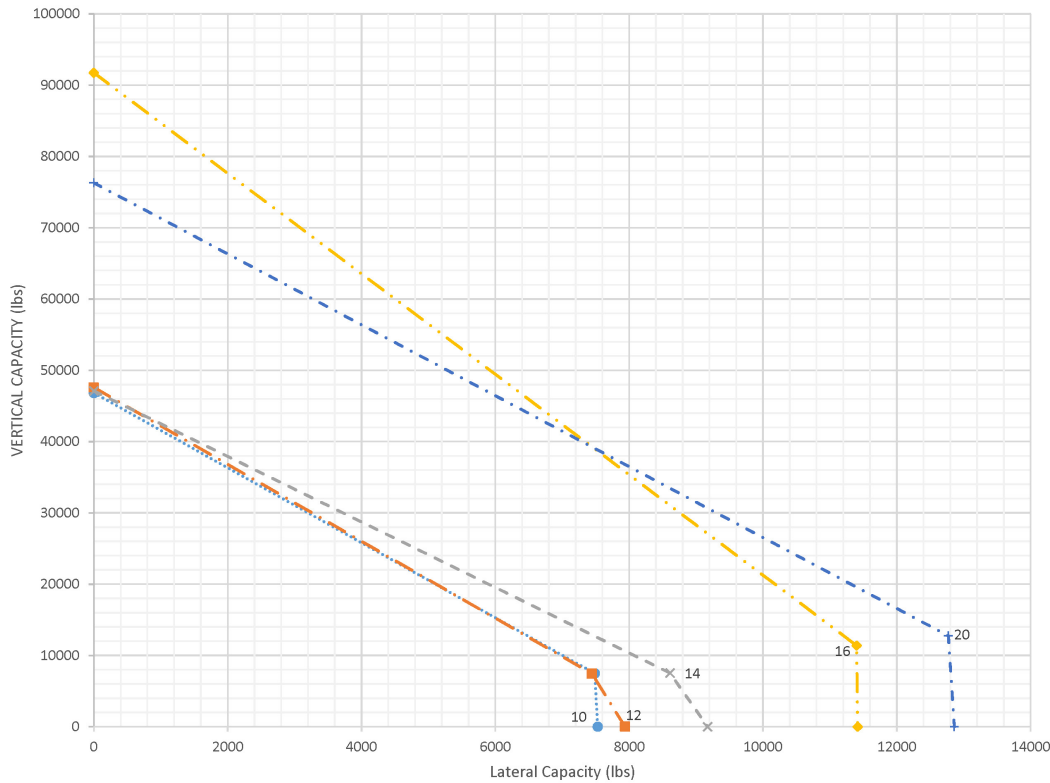
NOMINAL STAND SIZE (IN)	DIMENSION											
	A	B	C	D	E	F	G	H	J	K	L	M
10	10.44	30.00	14.75	14.25	12.50	1.00	14.75	1.50	6.00	2.47	5.50	0.88
12	10.44	30.00	14.75	17.00	15.00	1.00	15.50	1.50	6.00	2.47	5.50	0.88
14	10.44	30.00	14.75	18.75	16.50	1.13	15.50	1.50	6.00	2.47	5.50	0.88
16	11.94	42.00	17.81	21.25	19.00	1.13	21.81	1.50	6.00	3.22	5.50	0.88
20	11.81	54.00	19.13	25.00	22.50	1.25	23.00	1.50	6.00	2.16	7.50	0.88

- SPECIFICATIONS:**
- KNC STD. PAINTED FINISH.
  - ANSI STANDARD BOLTING PATERN.

- NOTE:**
- 1) LISTED CAPACITY IS FOR A COMPLETE SET OF STANDS AND NOT INDIVIDUAL COMPONENTS.
  - 2) TO ACHIEVE FULL CAPACITY, IF ISOLATED, THE BRACKETS NEED TO BE COUPLED TOGETHER WITH A RIGID BASEPLATE (BY OTHERS).
  - 3) LISTED CAPACITY IS FOR AN ASSEMBLY THAT IS HARD BOLTED TO THE STRUCTURE USING A307 BOLTS.
  - 4) ATTACHMENT TO CONCRETE OR WOOD WILL REDUCE THE CAPACITY DEPENDING ON THE HARDWARE USED. IF MOUNTED TO AN OUT OF LEVEL SURFACE, THE BASE SHOULD BE FULLY SUPPORTED WITH GROUT. LOCAL SHIMS ARE INSUFFICIENT.



**LARGE PUMP STAND CAPACITY (LRFD)**



KINETICS NOISE CONTROL, INC  
 6300 IRELAN PL,  
 DUBLIN, OH 43017 USA  
 Ph: 614 889-0480, Fax: 614 889-0540  
 www.kineticsnoise.com

Model:  
**LPS  
 PUMP STAND**

By: **BB**  
 Date: **11/24/15**  
 Revised: **/**

Drawing No:  
**S-46.20-4A**