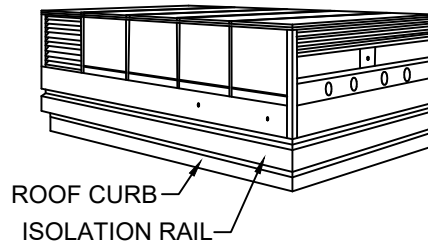


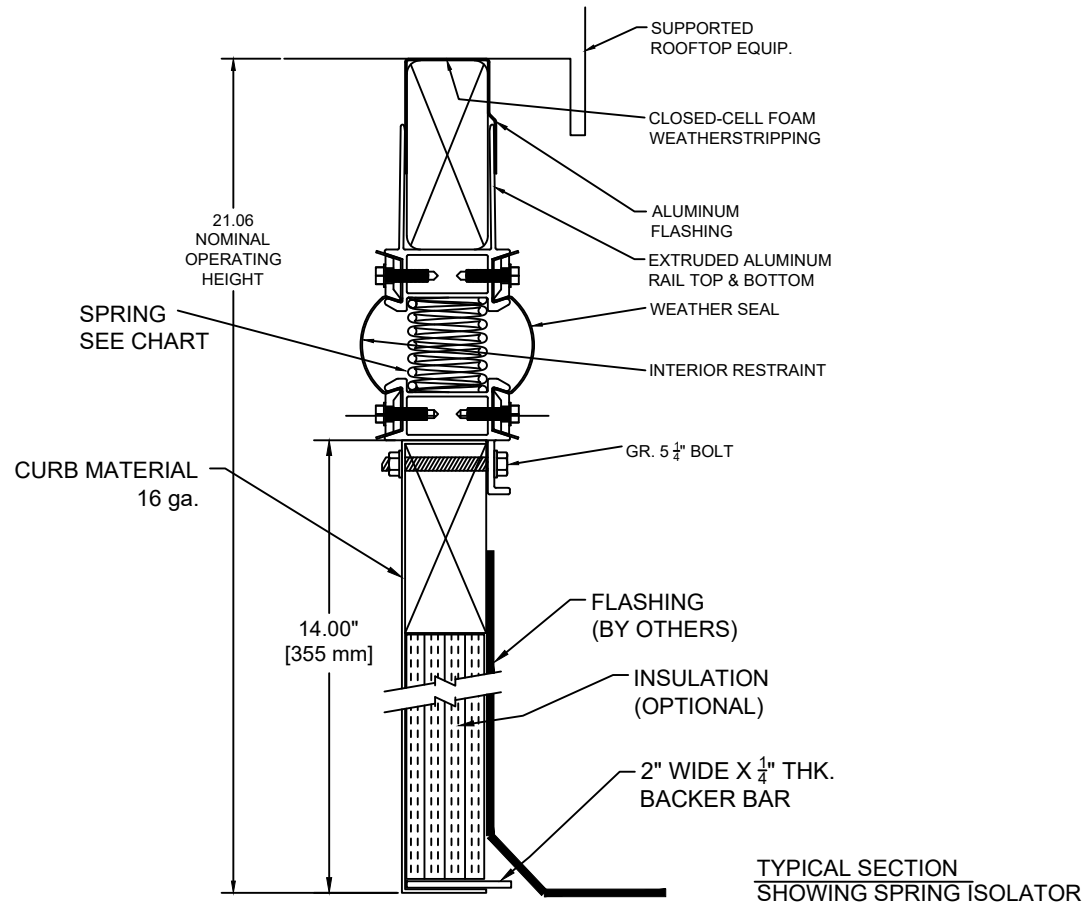
**SPECIFICATIONS**

- SPRING ISOLATORS ARE COMPUTER SELECTED AND LOCATED TO PROVIDE A NOMINAL 1.00 INCH (25 mm) STATIC DEFLECTION.
- SPRING ISOLATORS HAVE A MINIMUM Kx/Ky OF 1.0.
- SPRING ISOLATORS ARE SAFE AT SOLID LOADING.
- SPRING ISOLATORS ARE POWDER COATED.
- ALL UNITS SUPPLIED WITH A TROUBLESHOOTING PACKAGE FOR LEVELING EQUIPMENT, IF REQUIRED, DURING INSTALLATION.

**ROOFTOP EQUIPMENT**



SPRINGS FOR KSR-2.1, 1" DEFLECTION ISOLATION RAIL										
		STANDARD SPRING RATINGS				SPRING COIL				
TYPE	SIZE	LOAD		DEFL.		COLOR	FREE HT.		O.D.	
		lb	kg	in	mm		in	mm	in	mm
KSR	1-30	30	14	1.00	25	BLUE	2.50	64	1.46	37
KSR	1-65	65	29	1.00	25	GREEN	2.50	64	1.46	37
KSR	1-120	120	54	0.95	24	GRAY	2.50	64	1.46	37
KSR	1-205	205	93	0.95	24	BROWN	2.50	64	1.46	37



NOTE:  
IF SEISMIC APPLICATION IS REQUIRED  
CONSULT SALES REPRESENTATIVE.



KINETICS NOISE CONTROL, INC  
6300 IRELAN PL,  
DUBLIN, OH 43017 USA  
Ph: 614 889-0480, Fax: 614 889-0540  
www.kineticsnoise.com

Model:  
**KSCR 2.1 1" DEFL.  
ISOLATION CURB**

By: KR  
Date: 2/12/21  
Revised: /KR

Drawing No:  
**S-88.800**