

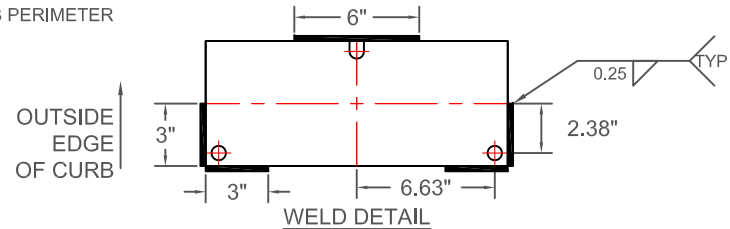
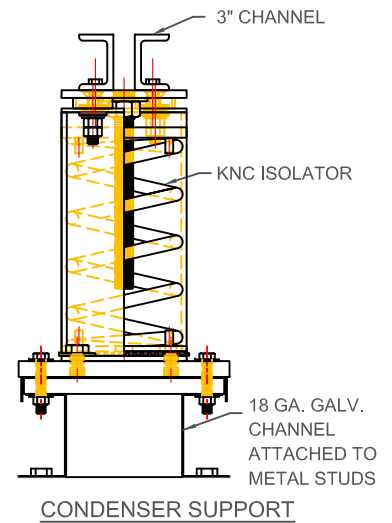
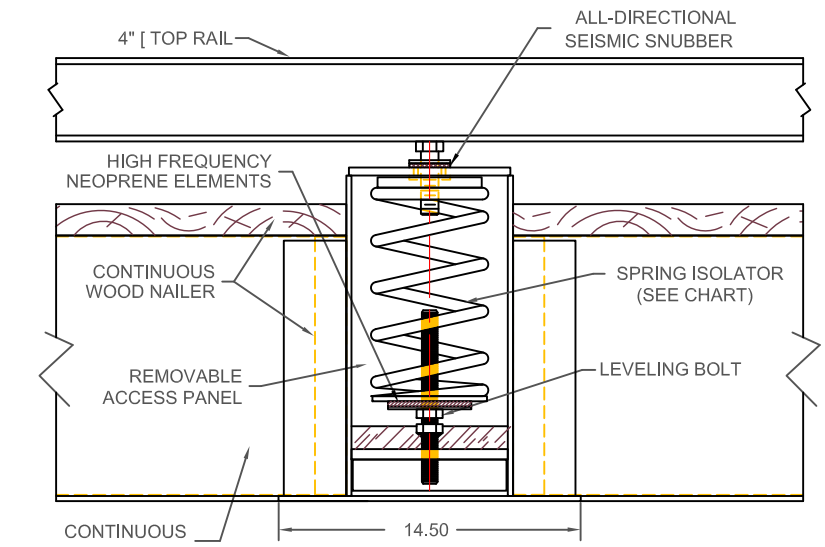
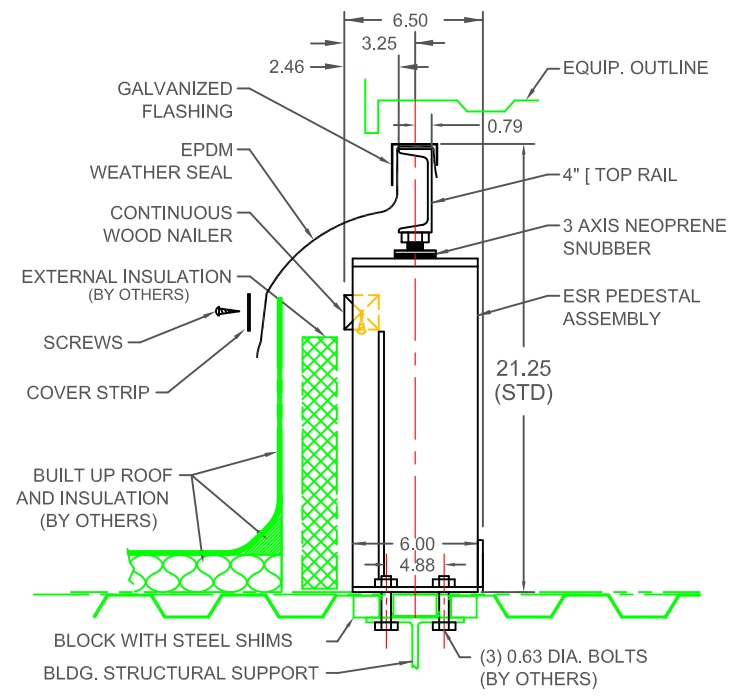
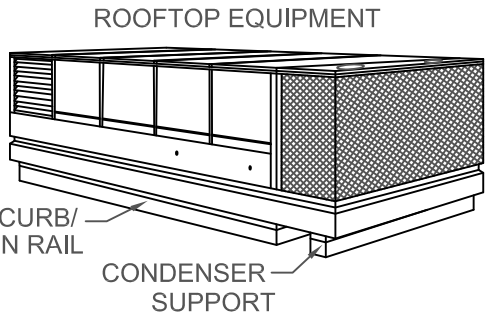
NOTE:

MODEL ESR TO PROVIDE CONTINUOUS SUPPORT OF UNIT WEIGHT WITH 4" TOP RAIL.

RESTRAINT AND ATTACHMENT DATA

RESTRAINT PEDESTALS ARE DESIGNED FOR 3000 LB LATERAL WIND OR SEISMIC LOADING. TO ACHIEVE FULL RATING, WELD EACH ESR PEDESTAL TO STRUCTURAL STEEL IN 3 PLACES (MIN.) AS NOTED. 1) A 6"x 0.25" WELD CENTERED ON THE OUTSIDE EDGE OF EACH PEDESTAL BASEPLATE. 2) & 3) TWO 6"x 0.25" WELDS WRAPPED AROUND EACH CORNER AT THE ENDS OF THE INSIDE EDGE WITH 3" OF WELD ON EACH END AND 3" ALONG THE INSIDE EDGE. A LESSER CAPACITY CAN ALSO BE ACHIEVED IF BOLTED TO STRUCTURAL STEEL USING 5/8" HARDWARE.

SPRING CAPACITY (PER PEDESTAL) BY MODEL						
MODEL	RATED		SPRING			
	LOAD lb/kg	DEFL in/mm	FR. HT. in/mm	O.D. in/mm	COLOR	
					OUTER	INNER
ESR-3-100	100/45	4.00/102	10.00/254	5.63/143	GRAY	
ESR-3-250	250/113	4.00/102	10.00/254	5.63/143	BLUE	
ESR-3-500	500/227	4.00/102	10.00/254	5.63/143	GREEN	
ESR-3-750	750/340	4.00/102	10.00/254	5.63/143	BLACK	
ESR-3-1000	1000/454	4.00/102	10.00/254	5.63/143	RED	
ESR-3-1250	1250/567	4.00/102	10.00/254	5.63/143	BROWN	
ESR-3-1600	1600/726	4.00/102	10.00/254	5.63/143	ORANGE	
ESR-3-1850	1850/839	3.94/100	10.00/254	5.63/143	ORANGE	BLUE
ESR-3-2100	2100/953	3.85/98	10.00/254	5.63/143	ORANGE	GREEN



SPECIFICATIONS

- SPRING ISOLATORS ARE COMPUTER SELECTED AND LOCATED TO NOMINALLY PROVIDE THE RATED STATIC DEFLECTION.
- SPRING ISOLATORS HAVE A MINIMUM Kx/Ky OF 1.2.
- SPRING ISOLATORS HAVE A TYPICAL OVERLOAD CAPACITY OF 50%.
- SPRING ISOLATORS ARE SAFE AT SOLID LOADING.
- SPRING ISOLATORS ARE POWDER COATED.



TITLE
**ESR-3 ISOLATION CURB
W/ CONDENSER SUPPORT**

LAST DATE
REVISED
06/10/09

REVISED BY
BB

DRAWING NO.
S-89.302-1A

S-89