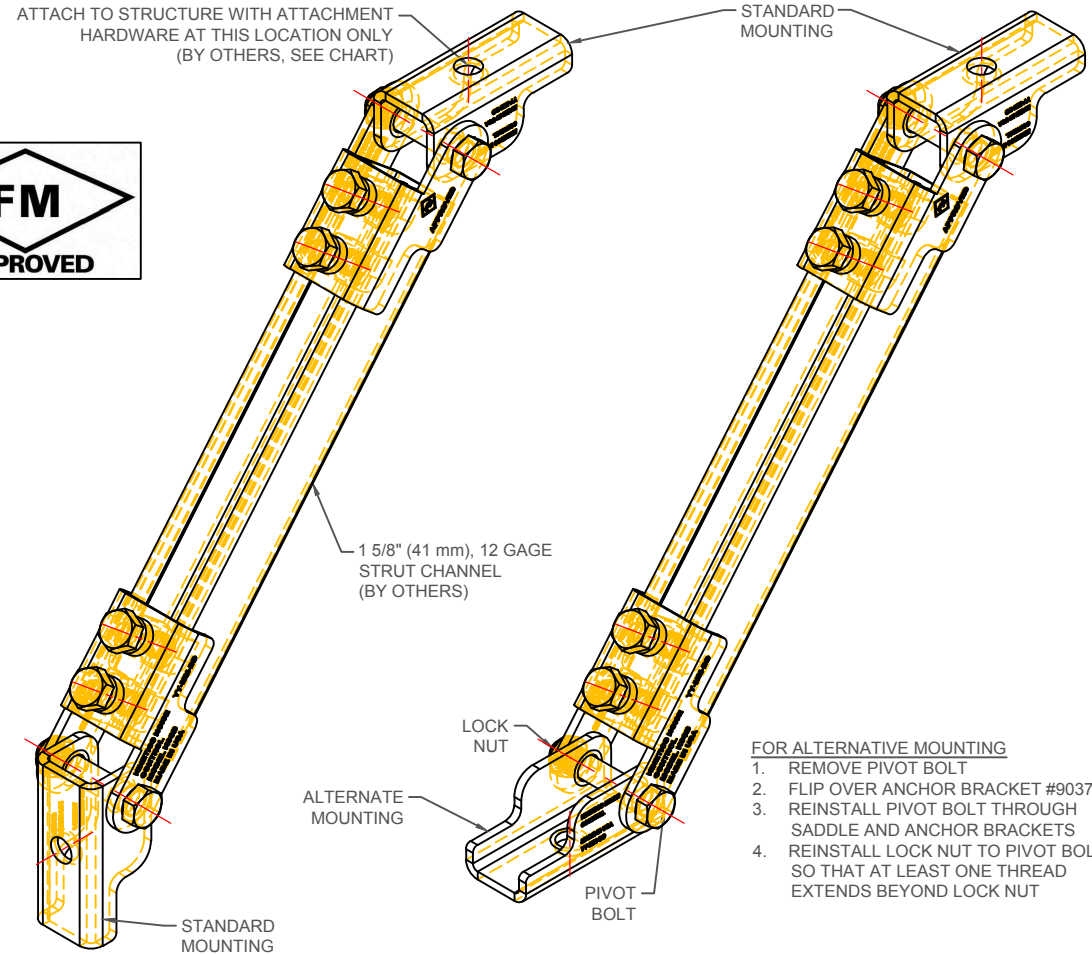
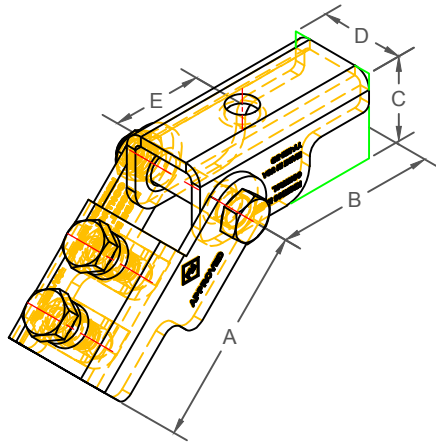


QUAKESTRUT-2
RIGID STRUT BUILDING ATTACHMENT ASSEMBLY
IPS UNITS (INCHES & POUNDS)

DIMENSION					ATTACHMENT HARDWARE
A	B	C	D	E	
3.50	3.13	1.63	1.63	1.75	0.50

RATINGS					
MODEL	PART NUMBER	FM APPROVED (ASD) ALLOWABLE HORIZONTAL LOAD CAPACITY PER INSTALLATION ANGLE			
		31° - 45°	46° - 60°	61° - 74°	75° - 90°
KSSB-2	9005001	2420	1770	NR	NR

- NR - NOT RATED FOR THIS INSTALLATION ANGLE
- INSTALLATION ANGLE REFERENCED FROM HORIZONTAL



- FOR ALTERNATIVE MOUNTING**
1. REMOVE PIVOT BOLT
 2. FLIP OVER ANCHOR BRACKET #9037909
 3. REINSTALL PIVOT BOLT THROUGH SADDLE AND ANCHOR BRACKETS
 4. REINSTALL LOCK NUT TO PIVOT BOLT SO THAT AT LEAST ONE THREAD EXTENDS BEYOND LOCK NUT

- CAPACITIES BASED ON ATTACHMENT TO STEEL TO ACHIEVE MAXIMUM VALUE. OTHER ATTACHMENT METHODS MAY REDUCE CAPACITY VALUES.
- RESTRAINTS TO BE INSTALLED AT AN ANGLE OF 45° ±15°
- 2 X 2 OR LARGER STEEL ANGLE (BY OTHERS) MAY BE USED AS STRUT MATERIAL. REPLACE STRUT ATTACHMENT NUT WITH 1/2" LOCK WASHER AND HEX NUT.
- FINISH IS BRIGHT ZINC PLATED STEEL.



KINETICS NOISE CONTROL, INC
 6300 IRELAN PL,
 DUBLIN, OH 43017 USA
 Ph: 614 889-0480, Fax: 614 889-0540
 www.kineticsnoise.com

QUAKESTRUT-2
MODEL KSSB-2

By: BB
 Date: 02/14/18
 Revised: /

Drawing No:
S-90.050A