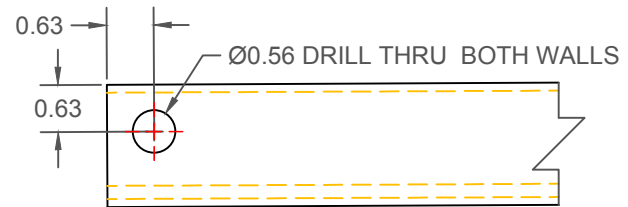
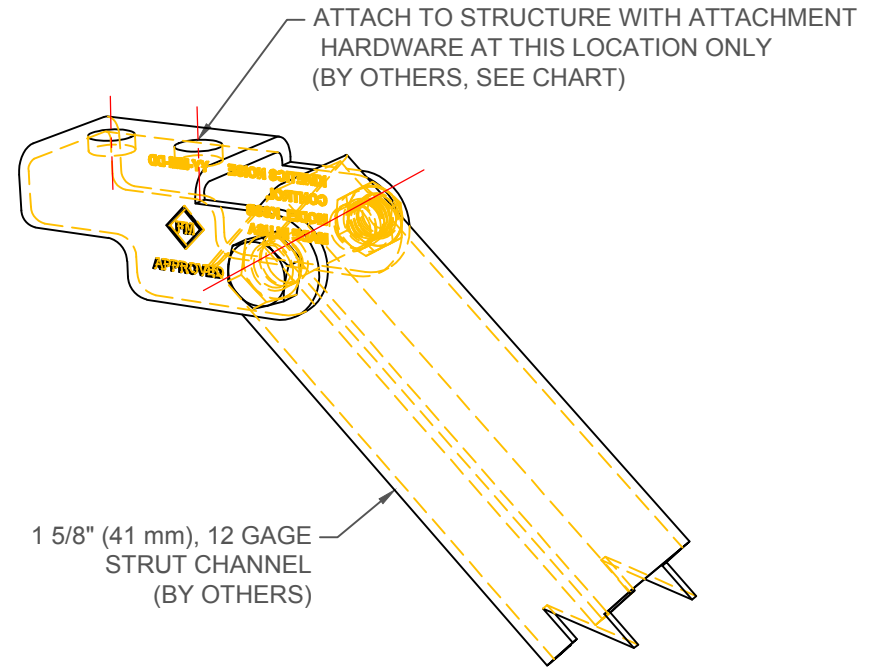
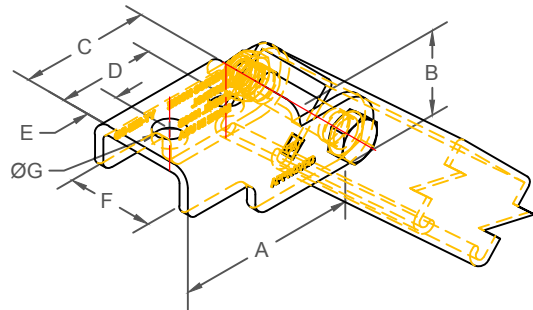


QUAKESTRUT-1
RIGID STRUT BUILDING ATTACHMENT BRACKET
IPS UNITS (INCHES & POUNDS)

DIMENSION							ATTACHMENT HARDWARE
A	B	C	D	E	F	G	
3.50	1.63	2.50	1.88	0.63	1.69	0.56	0.50

RATINGS					
MODEL	PART NUMBER	FM APPROVED (ASD) ALLOWABLE HORIZONTAL LOAD CAPACITY PER INSTALLATION ANGLE			
		31° - 45°	46° - 60°	61° - 74°	75° - 90°
KSSB-1	9037910	3680	1930	NR	NR

- NR - NOT RATED FOR THIS INSTALLATION ANGLE
- INSTALLATION ANGLE REFERENCED FROM HORIZONTAL



REQUIRED STRUT CHANNEL MODIFICATION TO USE KSSB-1

- CAPACITIES BASED ON ATTACHMENT TO STEEL TO ACHIEVE MAXIMUM VALUE. OTHER ATTACHMENT METHODS MAY REDUCE CAPACITY VALUES.
- RESTRAINTS TO BE INSTALLED AT AN ANGLE OF 45° ±15°
- FINISH IS BRIGHT ZINC PLATED STEEL.



KINETICS NOISE CONTROL, INC
 6300 IRELAN PL,
 DUBLIN, OH 43017 USA
 Ph: 614 889-0480, Fax: 614 889-0540
 www.kineticsnoise.com

QUAKESTRUT-1
MODEL KSSB-1

By: BB
 Date: 02/14/18
 Revised: /

Drawing No:
S-90.050-B