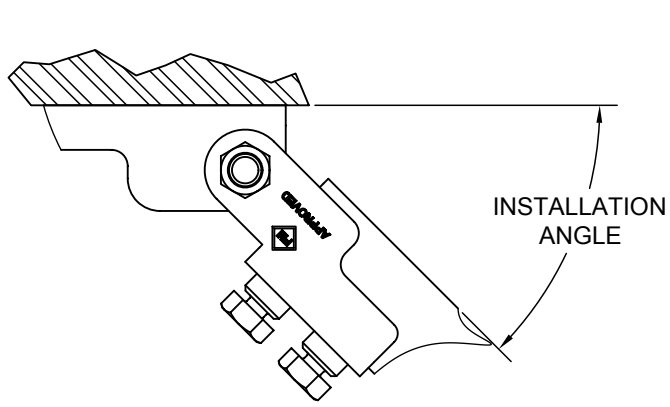
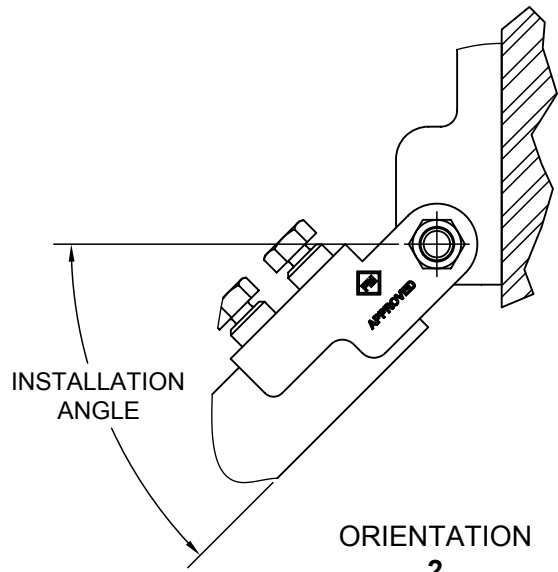


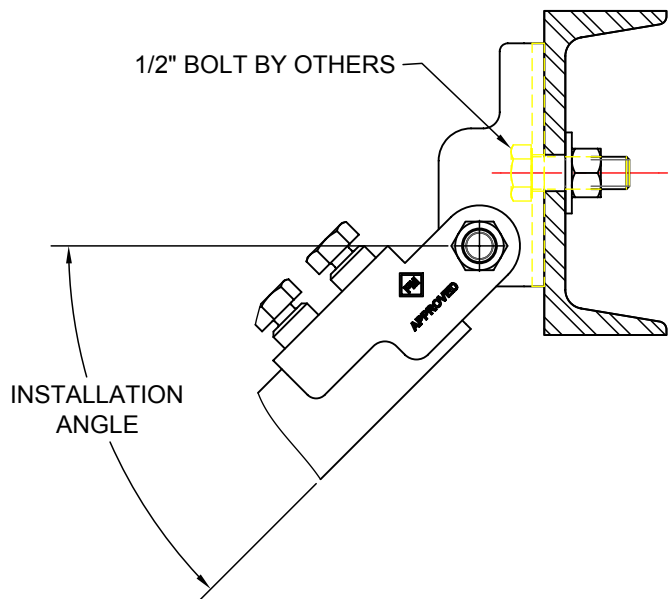
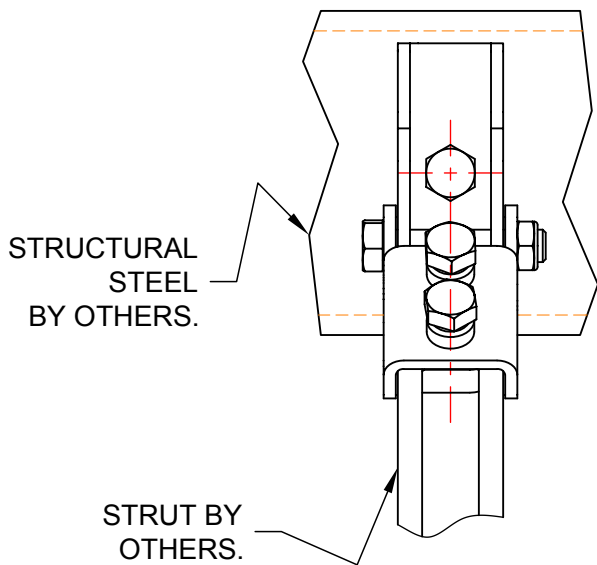
STEEL ATTACHMENT DETAIL



ORIENTATION
1



ORIENTATION
2



THIS COMPONENT IS SUITABLE FOR SEIMIC APPLICATIONS SUBJECT TO THE QUALIFICATIONS INDICATED ON THIS DRAWING.