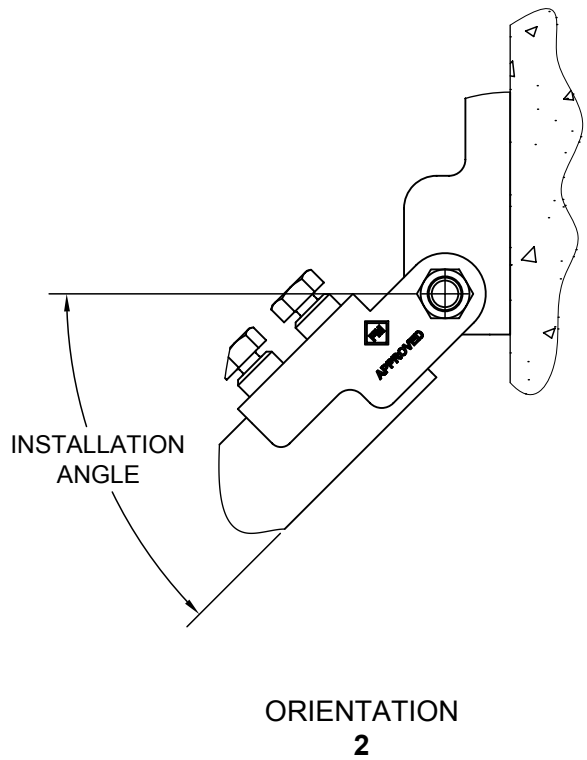
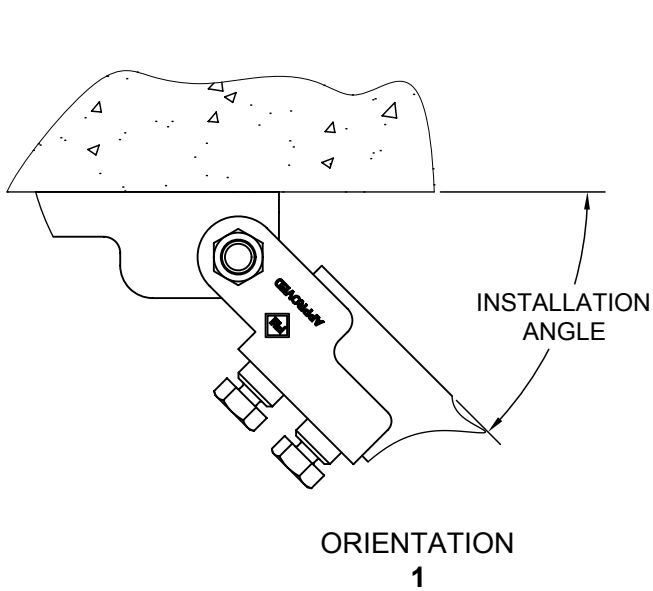
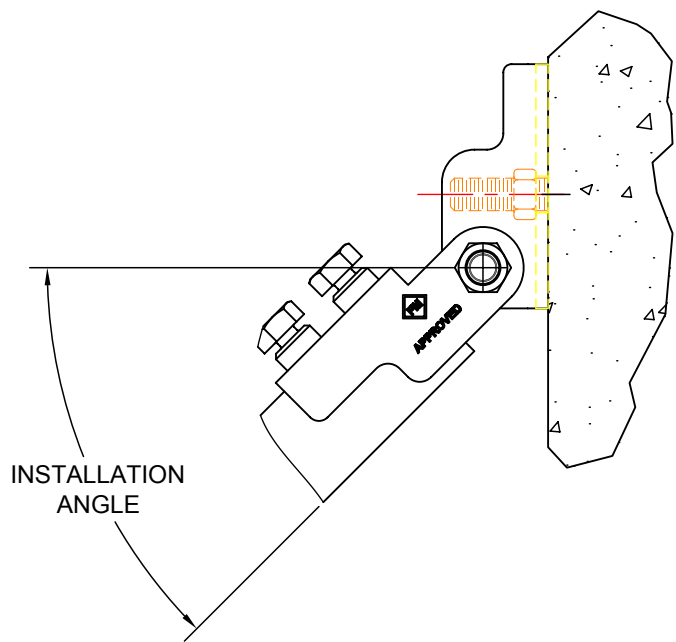
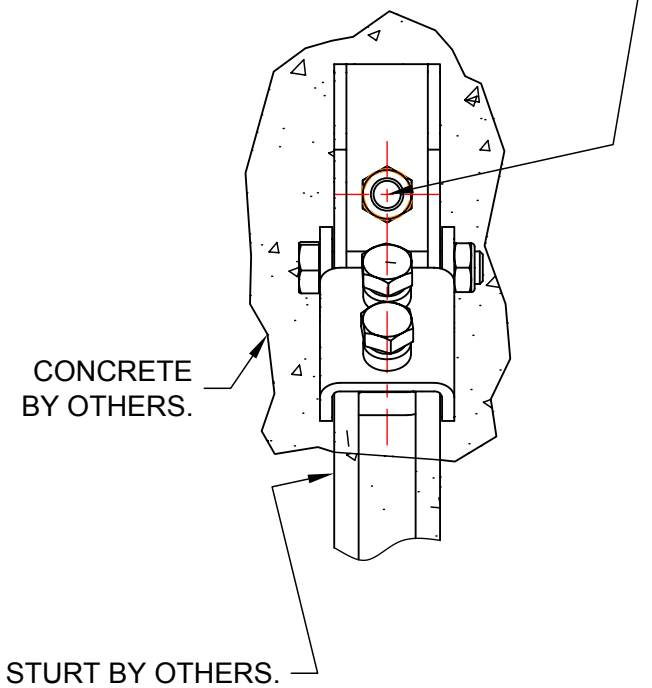


# CONCRETE ATTACHMENT DETAIL



FOR ANCHOR EMBEDMENT & EDGE DIST.  
SEE "ANCHOR CAPACITIES USED BY KNC  
SEISMIC PROGRAMS-WEDGE TYPE  
ANCHOR APPLICATIONS".



THIS COMPONENT IS SUITABLE FOR SEIMIC APPLICATIONS SUBJECT TO THE QUALIFICATIONS INDICATED ON THIS DRAWING.