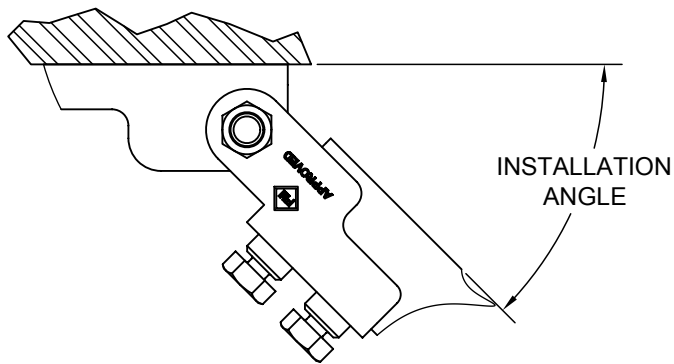
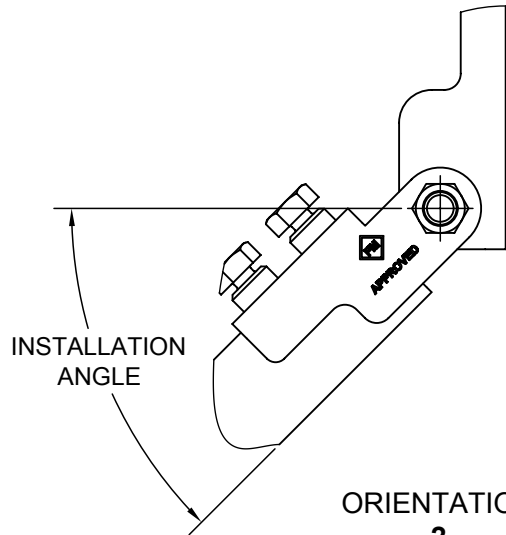


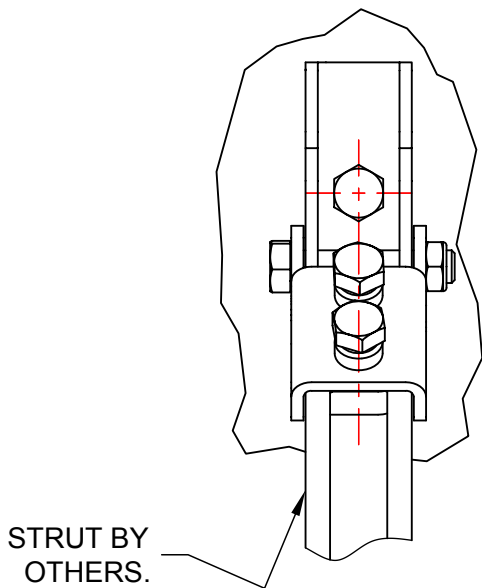
# WOOD ATTACHMENT DETAIL



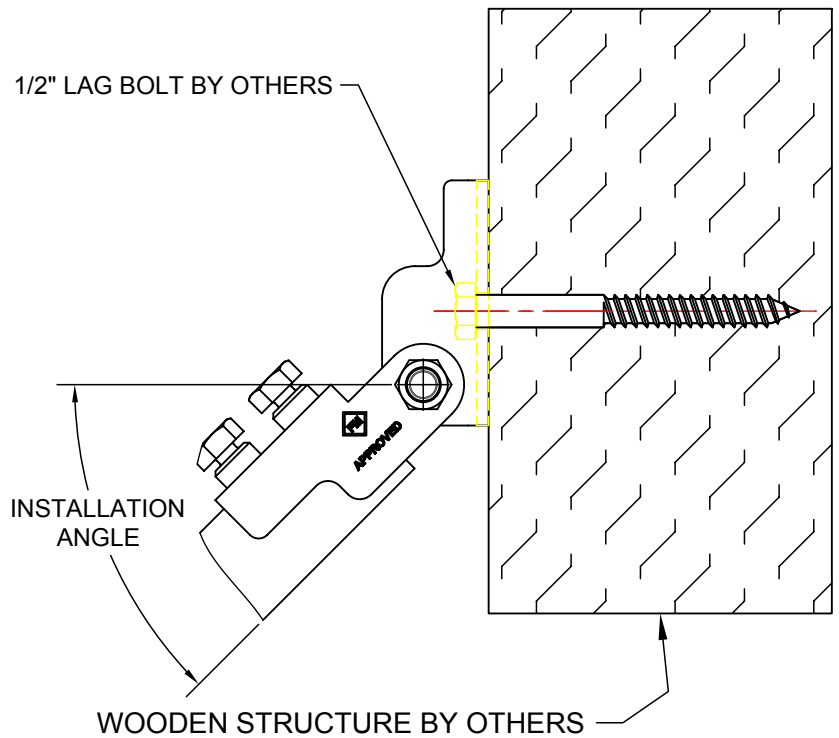
ORIENTATION  
1



ORIENTATION  
2



1/2" LAG BOLT BY OTHERS



THIS COMPONENT IS SUITABLE FOR SEIMIC APPLICATIONS SUBJECT TO THE QUALIFICATIONS INDICATED ON THIS DRAWING.