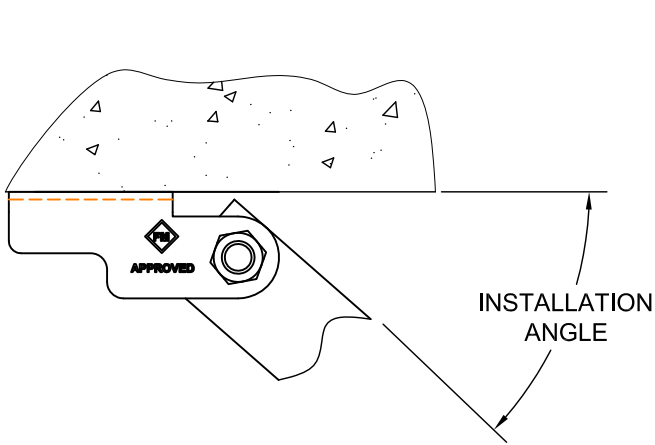
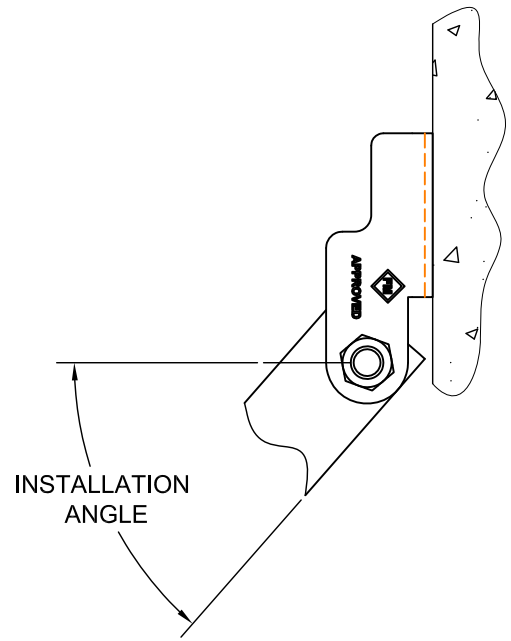


QUAKESTRUT-1 CONCRETE ATTACHMENT DETAIL



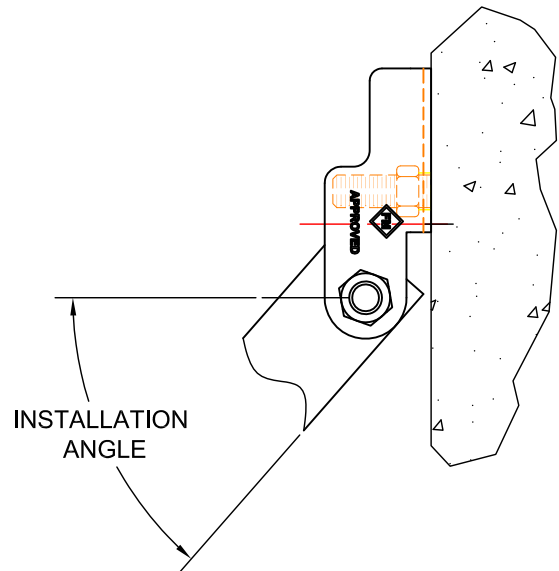
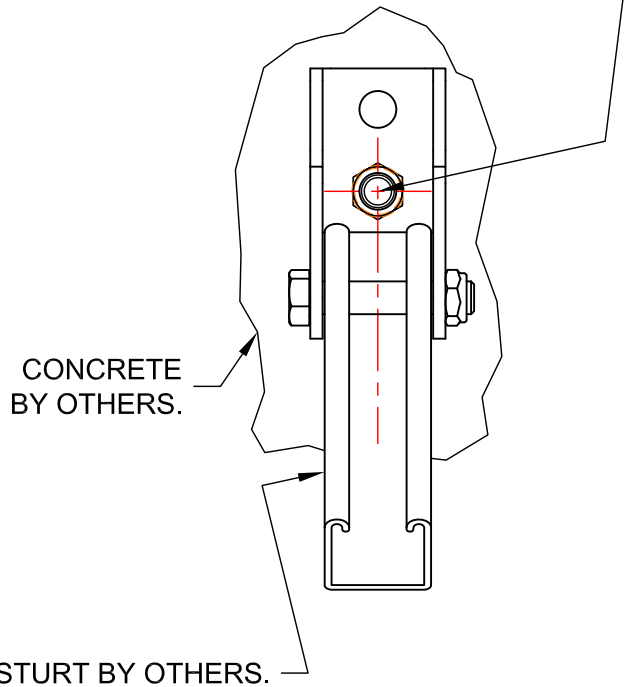
ORIENTATION
1



ORIENTATION
2

FOR ANCHOR EMBEDMENT & EDGE DIST.
SEE "ANCHOR CAPACITIES USED BY KNC
SEISMIC PROGRAMS-WEDGE TYPE
ANCHOR APPLICATIONS".

USE HOLE NEAREST TO STRUT



INSTALLATION
ANGLE



By: GAH
Date: 8/16/2019
Revised: /

Drawing No:
S-90.385-