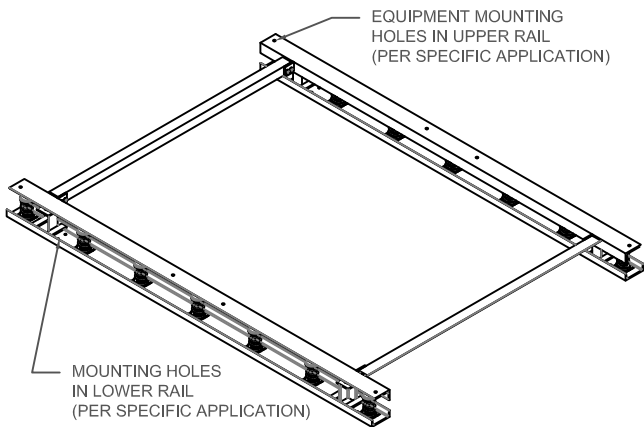
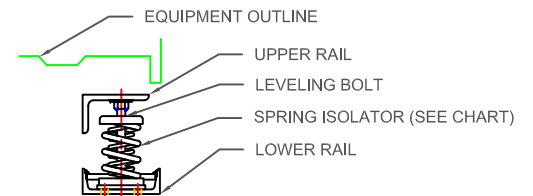
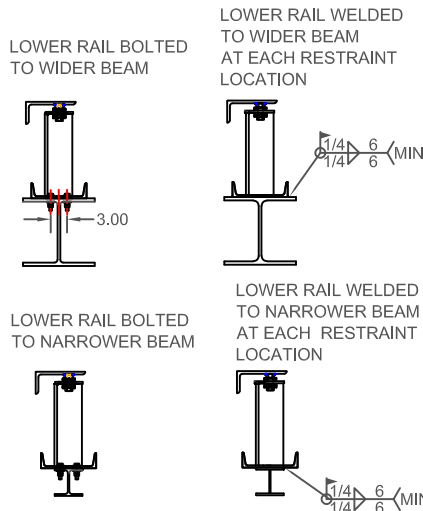


SPRING CAPACITY (PER PEDESTAL) BY MODEL						
MODEL	RATED		SPRING			
	LOAD lb/kg	DEFL in/mm	FR. HT. in/mm	O.D. in/mm	COLOR	
					OUTER	INNER
CTR-2S-100	100/45	2.00/51	6.09/155	3.50/89	GRAY	
CTR-2S-135	135/61	2.00/51	6.09/155	3.50/89	BEIGE	
CTR-2S-185	185/84	2.00/51	6.09/155	3.50/89	BROWN	
CTR-2S-225	225/102	2.00/51	6.09/155	3.50/89	GRAY	BROWN
CTR-2S-250	250/113	2.00/51	6.09/155	3.50/89	BLUE	
CTR-2S-375	375/170	2.00/51	6.09/155	3.50/89	BLUE	BROWN
CTR-2S-500	500/227	2.00/51	6.09/155	3.50/89	GREEN	
CTR-2S-625	625/283	2.00/51	6.09/155	3.50/89	GREEN	BROWN
CTR-2S-750	750/340	2.00/51	6.09/155	3.50/89	BLACK	
CTR-2S-875	875/397	2.00/51	6.09/155	3.50/89	BLACK	BROWN
CTR-2S-995	995/451	2.00/51	6.09/155	3.50/89	ORANGE	
CTR-2S-1120	1120/508	2.00/51	6.09/155	3.50/89	ORANGE	BROWN
CTR-2S-1400	1400/635	2.01/51	6.09/155	3.50/89	ORANGE	GREEN
CTR-2S-1600	1600/726	2.00/51	6.09/155	3.50/89	RED	
CTR-2S-1975	1975/896	1.98/50	6.09/155	3.50/89	RED	GREEN
CTR-2S-2600	2600/1179	2.00/51	6.09/155	3.50/89	SILVER	PINK



**ATTACHMENT DATA**

- TO ACHIEVE FULL RATING, WELD EACH LOWER RAIL TO STRUCTURAL STEEL ON BOTH SIDES, CENTERED ON EACH RESTRAINT LOCATION - (MIN) 0.25" FILLET WELDS 6" LONG.
- TO ACHIEVE FULL RATING, BOLT EACH LOWER RAIL TO STRUCTURAL STEEL USING 1/2" FASTENERS, ASTM A325 OR SAE GR. 5, IN ALL HOLES PROVIDED IN LOWER RAIL.
- CAPACITY MAY BE REDUCED WHEN USING CONCRETE ANCHORS WITH THE ATTACHMENT ANGLES.



**ISOLATOR SPECIFICATIONS**

- SPRING ISOLATORS ARE COMPUTER SELECTED AND LOCATED TO NOMINALLY PROVIDE THE RATED STATIC DEFLECTION.
- SPRING ISOLATORS HAVE A MINIMUM Kx/Ky OF 1.0.
- SPRING ISOLATORS HAVE A TYPICAL OVERLOAD CAPACITY OF 50%.
- SPRING ISOLATORS CAN BE COMPRESSED SOLID WITHOUT PERMANENT DEFORMATION.
- SPRING ISOLATORS ARE POWDER COATED.



**RESTRAINT DATA**  
INTEGRATED RESTRAINTS ARE DESIGNED FOR 2,393 LB LATERAL  
10,731 LB VERTICAL WIND AND/OR SEISMIC LOADING.

- NOTE:**
- MINIMUM SUPPORT BEAM SIZE: 5.0" WIDE
  - STANDARD FINISH: HOT DIPPED GALVANIZED
  - OPTIONAL FINISHES: POWDER COAT, PAINT



TITLE  
**CTR-2S QuietRail™  
STRUCTURAL FRAME BASE**

LAST DATE  
REVISED  
**08/23/19**

REVISED BY  
**BB**

DRAWING NO.  
**S-92.200-1A**