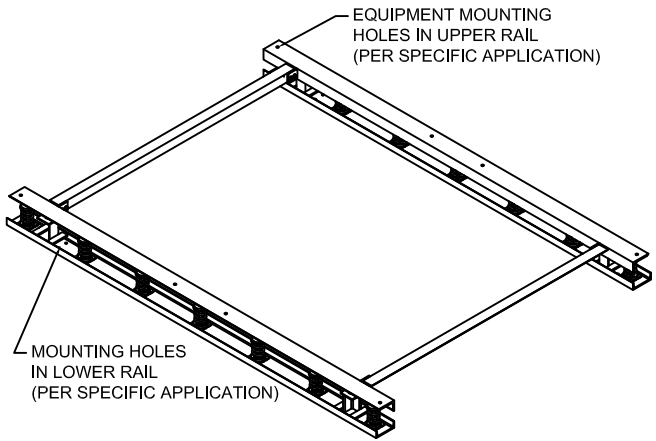
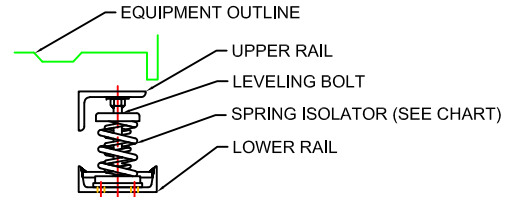
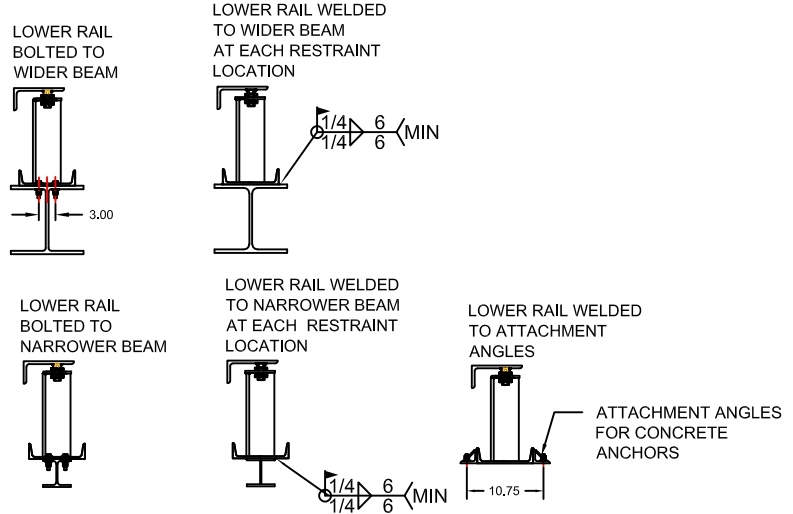


MODEL	SPRING CAPACITY - EACH									
	RATED		SPRING							
	LOAD	DEFL.	FREE HT.		O.D.		COLOR			
lb	kg	in	mm	in	mm	in	mm	OUTER	INNER	
CTR-4H-2250	2250	1021	4.00	102	11.50	292	8.00	203	BEIGE	
CTR-4H-2500	2500	1134	4.00	102	11.50	292	8.00	203	BEIGE	BLUE
CTR-4H-2750	2750	1247	4.00	102	11.50	292	8.00	203	BEIGE	GREEN
CTR-4H-3000	3000	1361	4.00	102	11.50	292	8.00	203	BEIGE	BLACK
CTR-4H-3250	3250	1474	4.00	102	11.50	292	8.00	203	BEIGE	RED
CTR-4H-3500	3500	1588	4.00	102	11.50	292	8.00	203	BEIGE	BROWN
CTR-4H-3850	3850	1746	4.00	102	11.50	292	8.00	203	BEIGE	ORANGE
CTR-4H-4200	4200	1905	4.00	102	11.50	292	8.00	203	CHROME	
CTR-4H-4450	4450	2018	4.00	102	11.50	292	8.00	203	CHROME	BLUE
CTR-4H-4700	4700	2132	4.00	102	11.50	292	8.00	203	CHROME	GREEN
CTR-4H-4950	4950	2245	4.00	102	11.50	292	8.00	203	CHROME	BLACK
CTR-4H-5200	5200	2359	4.00	102	11.50	292	8.00	203	CHROME	RED
CTR-4H-5450	5450	2472	4.00	102	11.50	292	8.00	203	CHROME	BROWN
CTR-4H-5800	5800	2631	4.00	102	11.50	292	8.00	203	CHROME	ORANGE



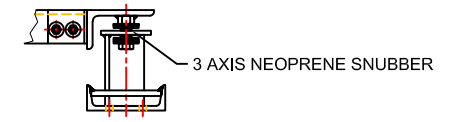
ATTACHMENT DATA

- TO ACHIEVE FULL RATING, WELD EACH LOWER RAIL TO STRUCTURAL STEEL ON BOTH SIDES, CENTERED ON EACH RESTRAINT LOCATION - (MIN) 0.25" FILLET WELDS 6" LONG.
- TO ACHIEVE FULL RATING, BOLT EACH LOWER RAIL TO STRUCTURAL STEEL USING 1/2" FASTENERS, ASTM A325 OR SAE GR. 5, IN ALL HOLES PROVIDED IN LOWER RAIL.
- CAPACITY MAY BE REDUCED WHEN USING CONCRETE ANCHORS WITH THE ATTACHMENT ANGLES.



ISOLATOR SPECIFICATIONS

- SPRING ISOLATORS ARE COMPUTER SELECTED AND LOCATED TO NOMINALLY PROVIDE THE RATED STATIC DEFLECTION.
- SPRING ISOLATORS HAVE A MINIMUM Kx/Ky OF 1.0.
- SPRING ISOLATORS HAVE A TYPICAL OVERLOAD CAPACITY OF 50%.
- SPRING ISOLATORS CAN BE COMPRESSED SOLID WITHOUT PERMANENT DEFORMATION.
- SPRING ISOLATORS ARE POWDER COATED.



RESTRAINT DATA

INTEGRATED RESTRAINTS ARE DESIGNED FOR 2,393 LB LATERAL, 15,576 LB VERTICAL WIND AND/OR SEISMIC LOADING.

NOTE:

- MINIMUM SUPPORT BEAM SIZE: 5.0" WIDE
- STANDARD FINISH: HOT DIPPED GALVANIZED
- OPTIONAL FINISHES: POWDER COAT, PAINT



TITLE
CTR-4H QuietRail™
STRUCTURAL FRAME BASE

LAST DATE
REVISED
08/23/19

REVISED BY
JW

DRAWING NO.
S-92.400-2A

S-92